

HEIGHT-ADJUSTABLE EQUIPMENT

for interior design & fittings

Contact : +33 477 252 734
info@amrconcept.com
www.amrconcept.com

 **MADE IN FRANCE**



PRODUCTS & TECHNICAL SUPPORT

COMFORT AT YOUR REACH.



2

ZI du Buisson
13 Boulevard Sagnat
42230 Roche-la-Molière
FRANCE
+33 477 252 734



Find more information, photos and
videos on

www.amrconcept.com



AMR CONCEPT
& YOU
TWO COLLABORATIVE
BESPOKE SOLUTIONS

1

ASSISTED CONTROL

You have designed and/or sold a project in which you **wish to integrate one of our products**. In order to ensure that your order and the unit's installation go smoothly, our study office will **provide you with all the necessary information**.

We advise you on the choice of the most suitable product, based on your project. We assist you with your order, we provide technical drawings, the assembly instructions for the installation of our products in your furniture, etc...

2

THE KEY SOLUTION

You have a particular request for which you wish to obtain **the expertise of our research department** for your project's design (Ex: installation for a person with reduced mobility).

The key solution allows you **to entrust us with the design, sale and installation of the project**. You keep in touch with your customer, take the measurements and have him validate the project's finishing touches. We then pay you **according to the amount** of the project.

3

Delivery time :
4 to 8 weeks based on the products

all prices excluding tax .VAT

**THE HEIGHT-ADJUSTMENT
BY AMR CONCEPT**
the choice of quality,
modularity and expertise

PRESENTATION

AMR Concept was born in 2010 by the will of its president, Rémy Rivory, to make all living spaces, whether private or public, accessible by motorising the various elements that make up these spaces. In addition to allowing everyone to use these facilities independently, the aim is to design customised spaces that become universal because they are practical for everyone. Today our company is evolving, we carry out our projects from design to installation and we also offer the possibility to professionals to fit-out their own projects with our height adjustable equipments. Always custom-made, our equipments are fully secured and can be adapted to any type of design.

OUR PRODUCTS

By becoming a French manufacturer of height adjustable equipment, AMR Concept offers a turn-key solution. We offer you a study of the project you have imagined for your customers, so that your design is optimised for the installation of one or more AMR Concept height adjustable equipment. Our study office is there to support you in the development and execution of your project when you purchase one of our products, so both you and your customer benefit from our expertise and find complete satisfaction in our partnership.

OUR COMMITMENT

We are committed to providing you with all the technical data necessary for the design, sale, installation and after-sales service of your project. All our products are guaranteed and comply with the european standards. We ship our products in Europe as well as abroad, using express or standard delivery to suit your needs. Our manufacturing lead time differs according to the references. Feel free to contact us for further information.

The **AMR** Concept team welcomes you
From Monday to Friday from 9am to
12:30pm and from 1:30pm to 6pm
And by phone +33 477 252 734

This catalog is interactive *



DESIGN
ASSISTANCE

VIDEO
PRESENTATION

ASSEMBLY
INSTRUCTIONS

Feel free to click on icons, internet links, the summary shortcuts, ...




* Please check regularly if a more recent update is available on our website
Version: V-0121






THE KITCHEN SPACE




OUR WORKTOP MECHANISMS:

- **LINEO** - Electric mechanism for linear worktop  p 11
- **LINEO-L** - Electric mechanism for corner worktops  p 12
- **LINEO-I** - Electric mechanism for island worktops  p 13
- **BRACKETS KIT** - Manual mechanism for casual adjustment of worktops p 14
- **LIFT FEET** - Electrical column for furniture bases p 15
- **LIFT BASE** - Electrical unit for furniture bases p 16
- **LIFT BASE ACCESS** -Electrical unit for furniture bases p 17

OUR UPPER CABINET MECHANISMS:

- **INSIDE CONCEPT** - Vertical descent mechanism for upper cabinets interiors  p 18
- **DIAGO CONCEPT** - Electric diagonal descent mechanism for upper cabinets p 19
- **VERTI CONCEPT** -Electric mechanism with vertical descent for upper cabinets p 20
- **IMOVE CONCEPT** - Manual tilting shelves for wall units or cabinets  p 21
- **ACCESS MOVE** - Manual tilting shelves for wall units or cabinets  p 22

OUR BASE CABINET MECHANISMS:

- **ELECTRO MOVE** - Vertical rising storage unit for kitchen corner or island  p 23
- **OPTIONS & KITCHEN ACCESSORIES** p 24


Our mechanisms can be installed on existing kitchens or on new kitchens from most manufacturers on the market.
If you want a complete project including mechanisms and furniture, contact us.



THE BATHROOM SPACE



OUR TOILET PLANS:

- **LINEO** - Electric mechanism for linear toilet surfaces  p 33
- **LIFT FEET** - Electrical column for furniture bases p 34
- **LIFT BASE** - Electrical unit for furniture bases p 35
- **LIFT BASE ACCESS** -Electrical unit for furniture bases p 36
- **E-LINE** - Corner sink with manual or electric height adjustment p 37
- **F-LINE** - Frame for electrically height adjustable sink p 38
- **K-LINE** - Frame for washbasin manually adjustable in height p 39
- **S-LINE** - Frame for electrically height adjustable sink p 40
- **MODULO BAIN** - Upgradeable bathroom furniture p 41

OUR TOILETS / SHOWER BEDS / CHANGING TABLES:

- **PRIV'EASY** - Height-adjustable toilet integration p 42
- **LIT DOUCHE** - Electrically adjustable shower and changing table p 43
- **EVOLU'TABLE** - Height adjustable changing table p 44

BATHROOM OPTIONS AND ACCESSORIES:

- **SINKS AND TAPS** p 45
- **SHOWER SEATS** p 46
- **SUPPORT RAILS** p 47
- **ACCESSORIES** p 49

PROFILO SMART:

- **ACCESSOIRES PROFILO SMART** p 50

Our mechanisms can be installed on existing bathrooms or on new bathrooms from most manufacturers on the market.

If you want a complete project including mechanisms and furniture, contact us.

Find more information, photos and videos on www.amrconcept.com




THE INTERIOR DESIGN



OUR TV SYSTEMS:

- **LIVING'MOVE** - Electrical mechanism for HIFI devices p 62
- **TV LIFT** - Electrical mechanism for television p 63

OUR BASES:

- **PI TABLE** - Electrically height adjustable central table base  p 64
- **ÉVOLU'TABLE** - Office desk base, changing table or electrically height adjustable table p 65
- **FLEXI-4** - Height adjustable table frame p 66
- **FLEXI-XL** - Height adjustable table frame p 67

OUR STORAGE MECHANISMS:

- **WARDROBE** - Electrical wardrobe elevator p 68

Our mechanisms can be installed on existing furniture or on new furniture from most manufacturers on the market.
If you want a complete project including mechanisms and furniture, contact us.

Find more information, photos and videos on www.amrconcept.com





1. KITCHEN

Find more information, photos and videos on




www.amrconcept.com





THE KITCHEN SPACE




OUR WORKTOP MECHANISMS:

- **LINEO** - Electric mechanism for linear worktop  p 11
- **LINEO-L** - Electric mechanism for corner worktops  p 12
- **LINEO-I** - Electric mechanism for island worktops  p 13
- **BRACKETS KIT** - Manual mechanism for casual adjustment of worktops p 14
- **LIFT FEET** - Electrical column for furniture bases p 15
- **LIFT BASE** - Electrical unit for furniture bases p 16
- **LIFT BASE ACCESS** -Electrical unit for furniture bases p 17

OUR UPPER CABINET MECHANISMS:

- **INSIDE CONCEPT** - Vertical descent mechanism for upper cabinets interiors  p 18
- **DIAGO CONCEPT** - Electric diagonal descent mechanism for upper cabinets p 19
- **VERTI CONCEPT** -Electric mechanism with vertical descent for upper cabinets p 20
- **IMOVE CONCEPT** - Manual tilting shelves for wall units or cabinets p 21
- **ACCESS MOVE** - Manual tilting shelves for wall units or cabinets  p 22

OUR BASE CABINET MECHANISMS:

- **ELECTRO MOVE** - Vertical rising storage unit for kitchen corner or island  p 23
- **OPTIONS & KITCHEN ACCESSORIES** p 24

Our mechanisms can be installed on existing kitchens or on new kitchens from most manufacturers on the market.
If you want a complete project including mechanisms and furniture, contact us.

Find more information, photos and videos on www.amrconcept.com



LINEO

ELECTRICAL MECHANISM FOR LINEAR WORKTOP



5-year warranty on limited parts

- The integration of a sink and/or cookinghob can be easily achieved with the lateral adjustment of the support arms.
- Silent system
- Plug & Play electronic system
- Standard stroke of 30 cm with 1 bowl sink, 25 cm with 1,5 or 2 bowls sink. Programmable to the nearest mm, up to 65 cm on request
- Mechanism are sold on their own. Furniture can be provided upon request.
- A 6cm gap is provided between the wall and the columns for the installation of electricity and plumbing
- Mechanism speed of 38 mm/s
- Maximum load of 160 kg (including furniture)

INCLUDED EQUIPMENT :

Electrical columns, custom-made frame, anti-crushing safety strip, motor, control box, power cables, switch and angle bracket for panel mounting

DESIGN ASSISTANCE



VIDEO PRESENTATION



ASSEMBLY INSTRUCTIONS

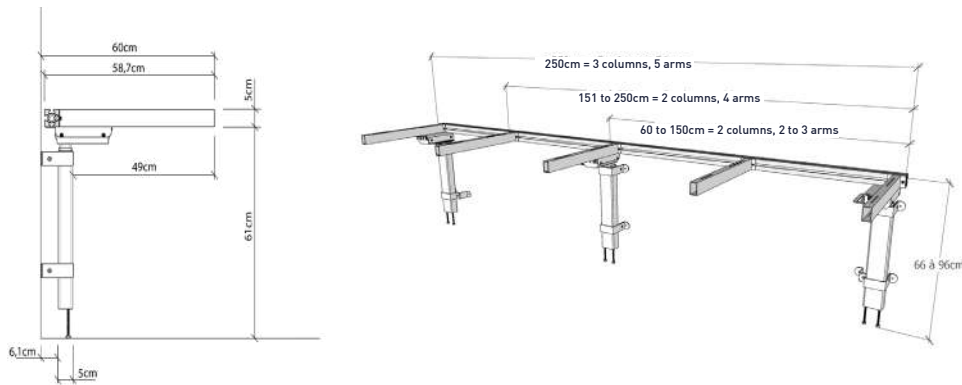


KITCHEN

11

LINEO mechanism makes your worktop adjustable in height according to your needs thanks to a discreet switch integrated into the furniture, a remote control or your smartphone. It has a **double anti-crushing safety system**, the first one integrated to the columns of the mechanism: the "Piezo" system, the second one, a soft safety strip located under the hollow space of your worktop.

The mechanism and the technical components can be hidden by sliding panels, which makes the whole system aesthetic and minimalist.



PRIVILEGE RANGE

Length Reference	PT80 to PT100 80 to 100 cm	PT110 to PT150 101 to 150 cm	PT160 to PT200 151 to 200 cm	PT210 to PT250 201 to 250 cm	PT260 to PT300 251 to 300 cm
Points	2267	2383	2526	2628	3487

To order, note the reference corresponding to the length of the worktop. ATTENTION: Always round up to the nearest ten. (Example : worktop length 150 cm = PT150 / worktop length 252 cm = PT260)

OPTIONS



TELEC :
Replaces the switch
212 pts



KITPLOMB1 / KITPLOMB2
Component for height adjustable sink



SECU SYNCHRO: security synchronization between two mechanisms
358 pts

LINEO-L

ELECTRIC MECHANISM FOR CORNER COUNTERTOP.



5-year warranty on limited parts

- The integration of a sink and/or cookinghob can be easily achieved with the lateral adjustment of the support arms.
- Silent system
- Plug & Play electronic system
- Standard stroke of 30 cm with 1 bowl sink, 25 cm with 1,5 or 2 bowls sink. Programmable to the nearest mm, up to 65 cm on request
- Mechanism are sold on their own. Furniture can be provided upon request.
- A 6cm gap is provided between the wall and the columns for the installation of electricity and plumbing
- Mechanism speed of 38 mm/s
- Maximum load of 80 kg (including furniture)

INCLUDED EQUIPMENT :

Electrical columns, custom chassis, anti-crash protection, motor, control box, power cables, switch and angle bracket mounting

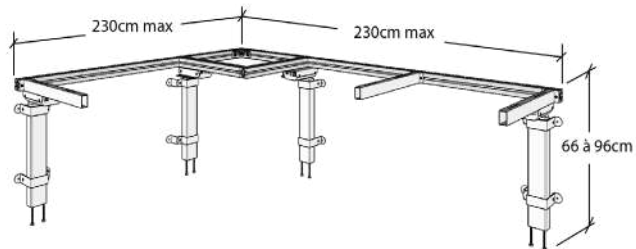
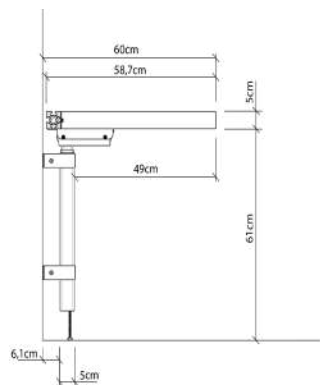
DESIGN ASSISTANCE



VIDEO PRESENTATION



ASSEMBLY INSTRUCTIONS



KITCHEN

12

LINEO-L mechanism makes your worktop adjustable in height according to your needs thanks to a discreet switch integrated into the furniture, a remote control or your smartphone. It has a **double anti-crushing safety system**, the first one integrated to the columns of the mechanism: "Piezo" system, the second one, a soft safety strip located under the hollow space of your worktop.

The mechanism and the technical components can be hidden by sliding panels, which makes the whole system aesthetic and minimalist.

PRIVILEGE RANGE

Mechanism Reference	PTA3C Corner countertop <1,4 m x 2 m**	PTA4C Corner countertop <2,3 x 2,3 m**
Points	3635	4422

To order, note the reference corresponding to the length of the worktop (Example: worktop length 120cm x 180 cm = PTA3C)

**The number of columns required will depend on the configuration of the work surface, consult us for more information.

OPTIONS



TELEC :
Replaces the switch
212 pts



KITPLOMB1 / KITPLOMB2
Component for height adjustable sink



SECU SYNCHRO:
synchronization between two mechanisms
358 pts

LINEO-I

ELECTRIC MECHANISM FOR KITCHEN ISLAND COUNTERTOP.



 5-year warranty on limited parts

- The integration of a sink and/or cookinghob can be easily achieved with the lateral adjustment of the support arms.
- Silent system
- Plug & Play electronic system
- Standard stroke of 30 cm with 1 bowl sink, 25 cm with 1,5 or 2 bowls sink. Programmable to the nearest mm, up to 65 cm on request
- Mechanism are sold on their own. Furniture can be provided upon request.
- A 6cm gap is provided between the wall and the columns for the installation of electricity and plumbing.
- Mechanism speed of 38mm/s
- Maximum load of 80kg (including furniture)

INCLUDED EQUIPMENT :

Electrical columns, custom chassis, anti-crash protection, motor, control box, power cables, switch and angle bracket mounting

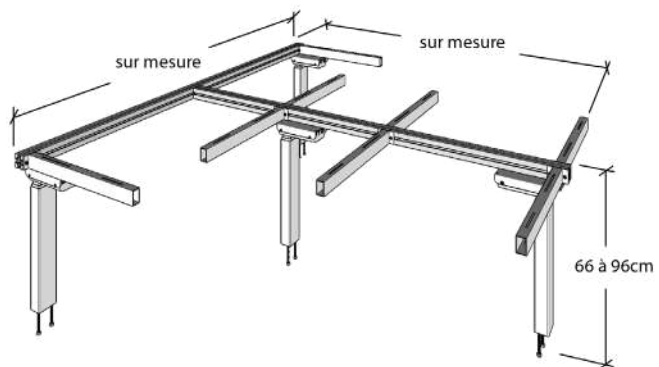
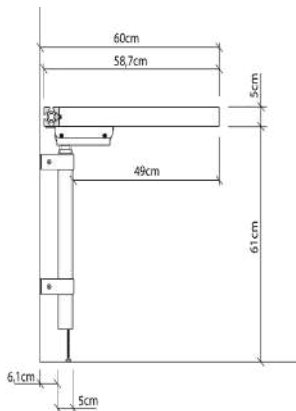
DESIGN ASSISTANCE



VIDEO PRESENTATION



ASSEMBLY INSTRUCTIONS



LINEO-I mechanism makes your worktop adjustable in height according to your needs thanks to a discreet switch integrated into the furniture, a remote control or your smartphone. It has a **double anti-crushing safety system**, the first one integrated to the columns of the mechanism: "Piezo" system, the second one, a soft safety strip located under the hollow space of your worktop.

The mechanism and the technical components can be hidden by sliding panels, which makes the whole system aesthetic and minimalist.

KITCHEN

13

PRIVILEGE RANGE

Mechanism Reference	PTI**
Points	Pricing on request.

**The number of columns required will depend on the configuration of the work surface, consult us for more information.

OPTIONS



TELEC :
Replaces the switch
212 pts



KITPLOMB1 / KITPLOMB2
Component for height adjustable sink



SECU SYNCHRO:
synchronization between two mechanisms
358 pts

BRACKETS KIT

MANUAL MECHANISM FOR CASUAL ADJUSTMENT OF WORKTOPS

 5-year warranty on limited parts

- The integration of a sink and/or a hob is easy thanks to the positioning of the brackets
- Continuous adjustment over 23cm
- Locking with screws
- Maximum load per bracket: 75kg
- Number of brackets to be adapted to the length of the worktop:
 - from 60 à 100cm → 2 brackets
 - from 100 à 200cm → 4 brackets
 - from 200 à 250cm → 5 brackets
 - from 250 à 300cm → 6 brackets

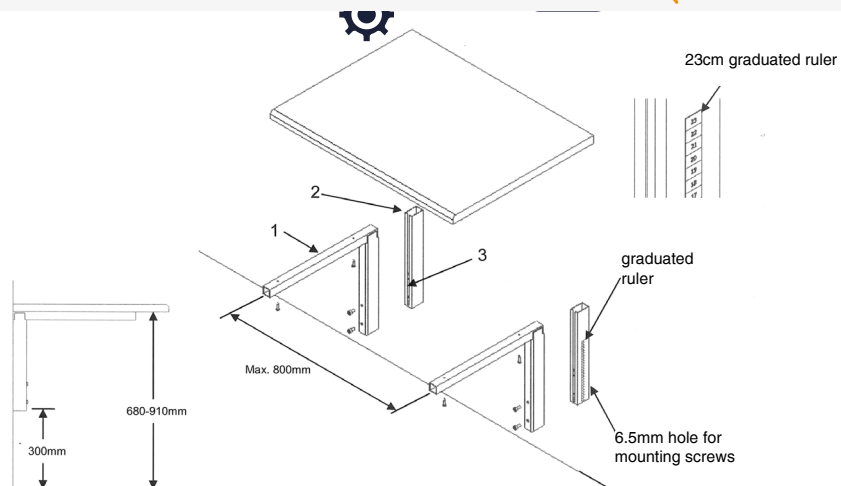
INCLUDED EQUIPEMENT :

Brackets and adjustment screws

VIDEO
PRESENTATION



ASSEMBLY
INSTRUCTIONS



The **SQUARE KIT** allows the height of a worktop to be adjusted manually. It is designed to adjust the height of a worktop by 23 cm. The height of the worktop can be adjusted by loosening 2 screws on each bracket.

The mechanism and the technical connections can be hidden by sliding panels, which makes the whole system aesthetic and minimalist.

KITCHEN

14

PRIVILEGE RANGE

Mechanism Reference	KIT2EQUERRES
Points	229

**The number of columns required will depend on the configuration of the worktop, please contact us for more information.

OPTIONS

ANGLE BRACKETS :
Angle brackets kit for fastening the trim strips
29 pts

LIFT FEET

ELECTRICAL COLUMN FOR FURNITURE BASES

 2-year warranty on limited parts

- 23.5 cm stroke
- Silent system
- "Plug & Play" electronic system
- Supports a maximum load of 80 kg (including furniture). For heavy loads, reinforced columns are available, consult us.
- The mechanisms are sold on their own and without anti-crushing safety: to be planned depending on the design.
- Speed of 25 mm/s
- Gap corresponding to the void of the installed furniture

INCLUDED EQUIPMENT:

Electric columns, motor, control box, power cables, switch

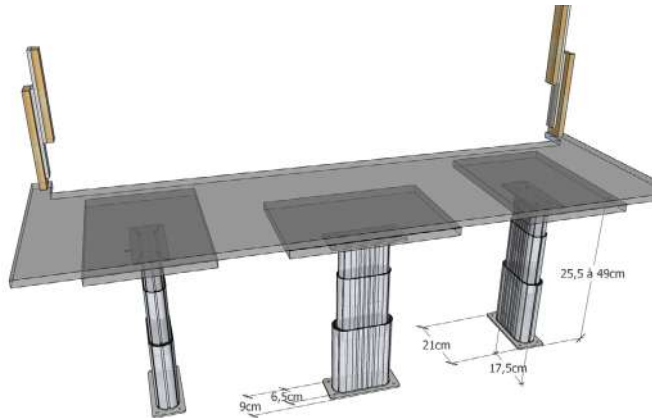
DESIGN ASSISTANCE



VIDEO PRESENTATION



ASSEMBLY INSTRUCTIONS



KITCHEN

15

LIFT FEET mechanism makes your worktop adjustable in height as needed with a discreet switch integrated into the furniture or a remote control. This mechanism enables a great freedom of design because of its integration under the cabinet, replacing the usual plastic feet.

The mechanism is invisible because it is concealed by panels replacing the baseboards.

PRIVILEGE RANGE

Mechanism Reference	CTM1 1 column**	CTM2 2 columns**	CTM3 3 columns**	CTM4 4 columns**
Points	1897	2692	3431	4176

To order, note the reference corresponding to the number of columns desired. [Example: 4 columns = CTM4]

**The number of columns required will depend on the dimensions and configuration of the countertop, consult us for more information.

OPTIONS



TELEC :
Replaces the switch
212 pts




KITPLOMB1 / KITPLOMB2
Component for height adjustable sink



SECU SYNCHRO:
synchronization between two mechanisms
358 pts

LIFT BASE

ELECTRICAL UNIT FOR FURNITURE BASES

 5-year warranty on limited parts

- 9.5 cm stroke
- Silent system
- “Plug & Play” electronic system
- Supports a maximum load of 150kg (including furniture).
- Mechanisms are sold alone and without anti-crushing safety: to be planned depending on the design.
- Speed of 14 mm/s
- Gap corresponding to the void of the installed furniture

INCLUDED EQUIPMENT:

Electrical units, motor, control box, power cables, support panels, slides and switch

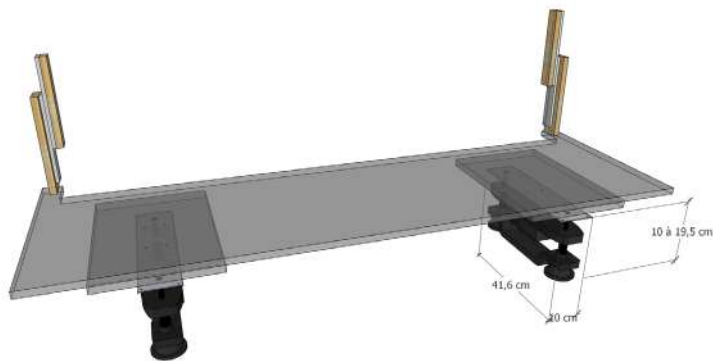
DESIGN ASSISTANCE



VIDEO PRESENTATION



ASSEMBLY INSTRUCTIONS



LIFT BASE mechanism makes your worktop adjustable in height as needed with a discreet switch integrated into the furniture or a remote control. This mechanism allows you a great design freedom because of its integration under the cabinet, replacing the usual plastic feet.

The mechanism is invisible because it is concealed by panels replacing the baseboards.

KITCHEN

16

PRIVILEGE RANGE

Mechanism Reference	LB2**	LB3**	LB4**	LB5**
Points	1430	1887	2223	2717

To order, note the reference corresponding to the number of units needed (Example: 4 units = LB4)

**The number of columns required will depend on the dimensions and configuration of the countertop, consult us for more information.

OPTIONS



TELEC :
Replaces the switch
212 pts



KITPLOMB1 / KITPLOMB2
Component for height adjustable sink



SECU SYNCHRO:
synchronization between two mechanisms
358 pts

LIFT BASE ACCESS

ELECTRICAL UNIT FOR FURNITURE BASES

 5-year warranty on limited parts

- 9.5 cm stroke
- Silent system
- "Plug & Play" electronic system
- Supports a maximum load of 150kg (including furniture).
- Mechanisms are sold alone and without anti-crushing safety: to be planned depending on the design.
- Speed of 14 mm/s
- Gap corresponding to the void of the installed furniture

INCLUDED EQUIPMENT:

Electrical units, motor, control box, power cables, support panels, rails, metal support, guides, metal frame and switch

DESIGN ASSISTANCE



VIDEO PRESENTATION



ASSEMBLY INSTRUCTIONS



LIFT BASE ACCESS mechanism makes your worktop adjustable in height as needed with a discreet switch integrated into the furniture or a remote control. This mechanism ensures a great freedom of design because of its integration under the cabinet, replacing the usual plastic feet.

The mechanism is invisible because it is concealed by panels replacing the baseboards.

KITCHEN

17



PRIVILEGE RANGE

Mechanism Reference	LBA2**	LBA3**	LBA4**	LBA5**
Points	2193	2648	3039	3675

**The number of columns required will depend on the dimensions and configuration of the countertop, consult us for more information.

OPTIONS



TELEC :
Replaces the switch
212 pts



KITPLOMB1 / KITPLOMB2
Component for height adjustable sink
139 / 165 pts



RETRACT:
Pull-out kit for retractable furniture
380 pts

INSIDE CONCEPT

VERTICAL DESCENT MECHANISM FOR UPPER CABINET INTERIORS



5-year warranty on limited parts

- Fits into a cabinet
- Silent system
- The mechanisms are sold on their own , the furnitures can be supplied on request.
- **ATTENTION:** *Wall credences must be adapted.*
- Two depths available: 26.5 or 31 cm.
- The shelves are adjustable on racks.
- Stroke of 49,5 cm
- Speed of 33 mm/s
- Supports a maximum load of 80 kg (including furniture)

INCLUDED EQUIPMENT:

Mechanism, double anti-crushing safety (upper and lower), motor, control box, power cables and switch

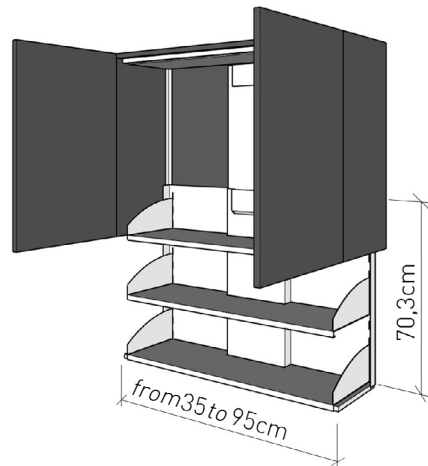
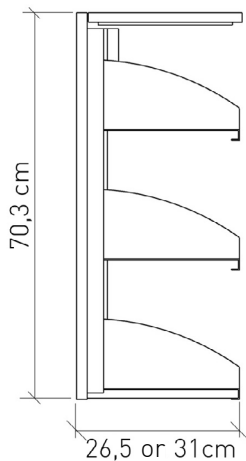
DESIGN ASSISTANCE



VIDEO PRESENTATION



ASSEMBLY INSTRUCTIONS



INSIDE mechanism makes the interior of your wall units accessible without having to open the doors. The descent is smooth, without any sudden movements and can be stopped at the level you want. It is controlled by a switch integrated in the furniture or by a remote control. It even leaves an area of work surface available once the shelf is lowered to take out the elements in complete security.

Its safety system allows a safe operation without any risk of crushing between the bottom of the furniture and the top, as well as between the top shelf and the top of the furniture.

KITCHEN

18

PRIVILEGE RANGE

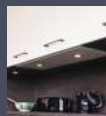
Mechanism Reference	MHVI
Points	2535

To order, note the reference corresponding to the width of the wall unit. Example : length of wall unit 60cm : MHVI60 (the mechanism measures 5cm less than the unit).

OPTIONS



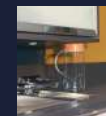
TELEC :
Replaces the switch
212 pts



Drilling and installation of spotlight under mechanism (spotlight + transformer included)
SPOT1: 248 pts / SPOT2: 338 pts



Assembly in the workshop of the customized unit (panels provided by you)- MHVIAPP: 330 pts



SECU SYNCHRO:
synchronization between two mechanisms
358 pts



DIAGO CONCEPT

ELECTRIC DIAGONAL DESCENT MECHANISM FOR UPPER CABINETS

 5-year warranty on limited parts

- Your embedded spotlights are easily integrated into the safety panel, the switch is to be installed with your electrician.
- Plug & Play” system
- For furniture height below 69cm, contact us.
- The mechanisms are sold alone, the furniture can be provided on request.
- Vertical travel of 42cm and horizontal run of 18cm
- Speed 22mm/s
- Supports a load of 120kg (furniture included)

INCLUDED EQUIPMENT:

Mechanism, anti-crushing safety, motor, control box, power cables and switch

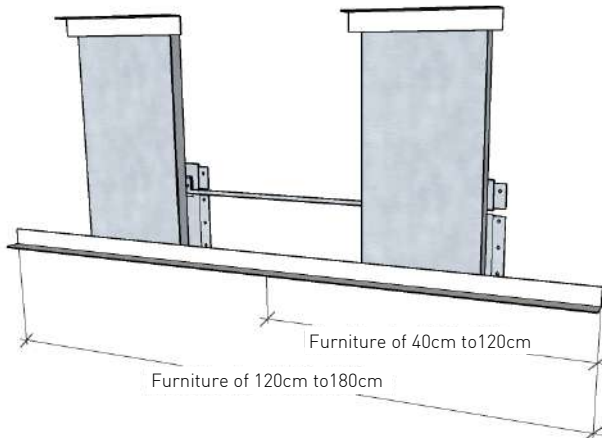
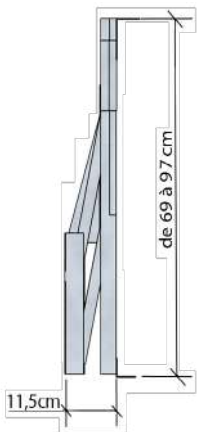
DESIGN ASSISTANCE



VIDEO PRESENTATION



ASSEMBLY INSTRUCTIONS



DIAGO mechanism allows the furniture to be lowered diagonally to the front of the countertop. The movement is smooth and continuous and can be stopped at any time thanks to its millimeter precision adjustment. The control is done by a switch integrated in the furniture or a remote control. It can be fixed to the back of a standard high cabinet, which does not reduce the storage space. Panels can be added around the furniture to hide the mechanism.

Its anti-crushing system secures the unit and can be synchronized with the countertop.

KITCHEN

19

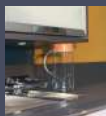
Mechanism Reference	MHD 40/60 Furniture size 40 cm to 60 cm	MHD 70/100 Furniture size 70 cm to 100 cm	MHD 110/120 Furniture size 110 cm to 120 cm	MHD130/180 Furniture size 130 cm to 180 cm
Points	2762	2787	2870	4329

To order, note the reference corresponding to the length of the furniture. ATTENTION: Always round up to the next half decade
Example : width of furniture 90cm = MHD90

OPTIONS



TELEC :
Replaces the
switch
212 pts



SECU SYNCHRO:
synchronization between
two mechanisms
358 pts

VERTI CONCEPT

ELECTRIC MECHANISM WITH VERTICAL DESCENT FOR UPPER CABINETS

 5-year warranty on limited parts

- Silent system
- Plug & Play™ system
- Your embedded spotlights are easily integrated into the safety panel, the switch is to be installed with your electrician.
- **CAUTION:** The wall backsplash must be adapted and no obstacle must be placed under the unit.
- The mechanisms are sold alone, the furniture can be provided on request.
- Stroke of 30 cm
- Speed of 33 mm/s
- Supports a maximum load of 80 kg (including furniture)

INCLUDED EQUIPMENT:

Mechanism, anti-crush safety, motor, control box, power cables and switch

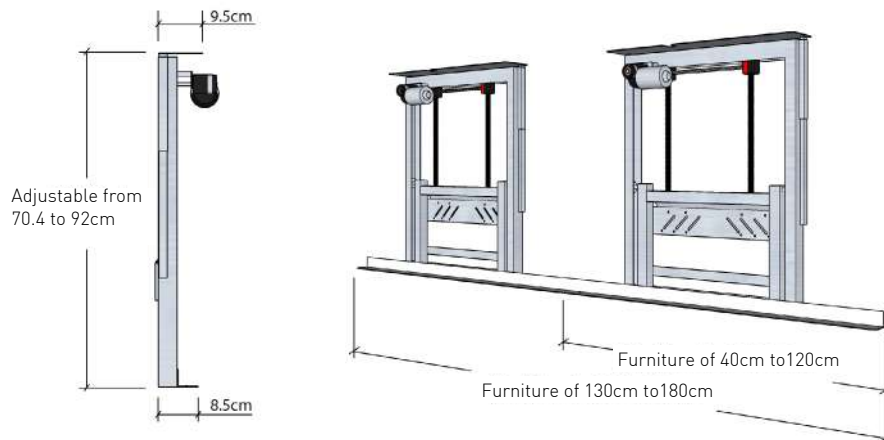
DESIGN ASSISTANCE



VIDEO PRESENTATION



ASSEMBLY INSTRUCTIONS



VERTI mechanism allows the furniture to be lowered vertically. The movement is smooth and continuous and can be stopped at any time thanks to its **millimeter precision adjustment**. The control is done by a **switch integrated** in the furniture or a remote control. It is fixed to the back of a standard wall unit, which does not affect the storage space. Panels can be added around the furniture to hide the mechanism, which is invisible when lowered.

Its anti-crushing system secures the unit and can be synchronized with the countertop.

KITCHEN

20

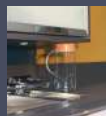
Mechanism Reference	MHV40/60 From 40 cm to 60 cm (1 column)	MHV70/100 From 70 cm to 100 cm (1 column)	MHV110/120 From 110 cm to 120 cm (1 column)	MHV130/180 From 130 cm to 180 cm (2 column)
Points	2492	2517	2599	3943

To order, note the reference corresponding to the length of the furniture. Example : length of furniture 90cm = MHV90

OPTIONS



TELEC :
Replaces the switch
212 pts



SECU SYNCHRO:
synchronization between two mechanisms
358 pts

IMOVE CONCEPT

MANUAL TILTING SHELVES FOR WALL UNITS OR CABINETS

 2-year warranty on limited parts

- Ergonomic handle, allows effortless operation.
- No reinforcement or power supply required, very simple installation, even in existing furniture.
- The mechanism can only be fixed inside a piece of furniture of the same size (60, 80, and 90 cm)
- To order, note the reference corresponding to the width of the mechanism and the number of shelves.
- This mechanism exists in 3 colors:
- 34 cm stroke
- Supports a maximum load of 8 kg



INCLUDED EQUIPMENT:
Mechanism and Drill Template

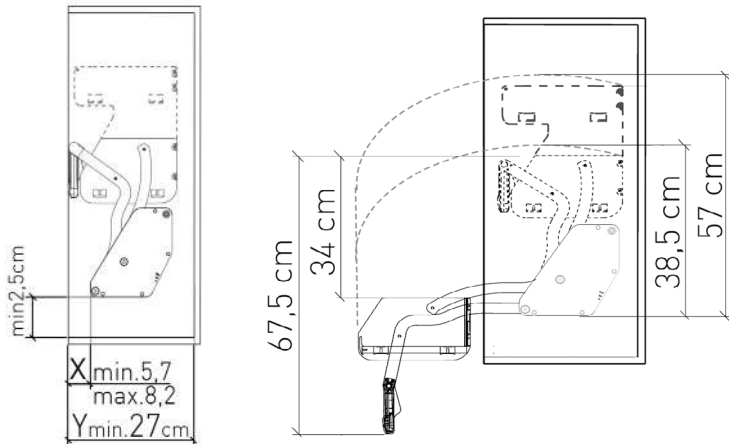
DESIGN ASSISTANCE



VIDEO PRESENTATION



ASSEMBLY INSTRUCTIONS



OPTIONAL EXTENDED HANDLE

IMOVE mechanism makes products stored in the highest parts of wall cabinets effortlessly accessible. Easily used by the elderly, people with reduced mobility or by children. The operation is smooth and effortless thanks to the jacks that follow the stroke both up and down.

Mechanism Furniture Reference	Colors	IM60 1 Large shelf 60 cm	IM80 1 Large shelf 80 cm	IM90 1 Large shelf 90 cm	IMD60 2 Large shelves 60 cm
Points	Grey	394	475	417	486
	White	408	495	425	505
	Anthracite	419	517	436	562

KITCHEN

21

OPTIONS



ERGOTRAPCOURT : Ergonomic handle for people with reduced mobility or smaller height.
71 pts



ERGOTRAPLONG : Ergonomic handle for people with reduced mobility or small children.
71 pts

ACCESS' MOVE

MANUAL TILTING SHELVES FOR WALL UNITS OR CABINETS



 2-year warranty on limited parts

- Shelf for wall unit, minimum depth 29 cm and height 60 cm
- For 60 or 90 cm large cabinets.
- For cabinet thickness 18 mm maximum
- Width of the interior shelves of the mechanism: W 46,5 x D 25 cm for width 60 cm and W 76,5 x D 25cm for width 90 cm
- Double level shelves with anti-fall metal edges
- Pneumatic cylinder for assistance in lowering and raising
- Lockable shelf in lowered position
- Maximum supported weight: 5 kg for AM60 and 7 kg for AM90
- Mechanism travel: 29 cm

INCLUDED EQUIPMENT:

Mechanism and drill template

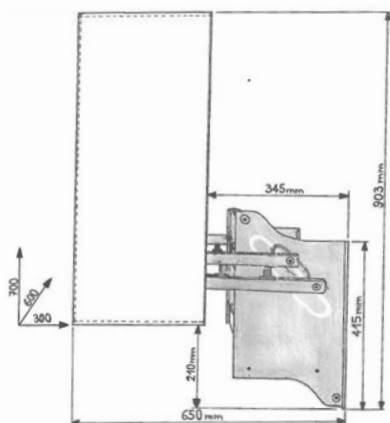
DESIGN ASSISTANCE



VIDEO PRESENTATION



ASSEMBLY INSTRUCTIONS



KITCHEN

22

ACCESS MOVE mechanism makes products stored in the highest parts of wall cabinets effortlessly accessible.

Easily used by the elderly, people with reduced mobility or children. The handle at the bottom of the mechanism makes it easy to grip.

PRIVILEGE RANGE

Mechanism Reference	AM60	AM90
Points	293	312

OPTIONS

ELECTRO MOVE

VERTICAL RISING STORAGE UNIT FOR KITCHEN CORNER OR ISLAND



2-year warranty on limited parts

- Raises or lowers an element on the countertop.
- Anti-pinch safety *electronic sensor fully integrated in the column.*
- The control switch is integrated in the angle bracket on the worktop.
- Plug integrated in the mechanism for connection of a kitchen gadget.
- The mechanism is sold alone with the cabinet.
- Maximum stroke of 50 cm
- Speed of 38 mm/s
- Supports a load of 15 kg on each platform *(furniture included)*

INCLUDED EQUIPMENT:

Mechanism, motor, control box, power cable, switch and housing.

DESIGN ASSISTANCE



VIDEO PRESENTATION



ASSEMBLY INSTRUCTIONS



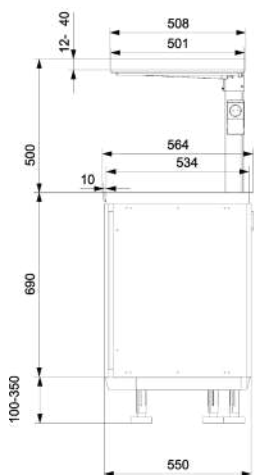
KITCHEN

23

ELECTROMOVE mechanism allows **maximum use of space** even in the unoccupied corners of the kitchen. Its switch is integrated in the mechanism and with a simple press it is possible to **access the elements stored on the trays**. As the bottom platform can be pulled out, there is no need to lift the equipment, it can be moved easily. Allows you to store small kitchen gadget such as coffee machines and fruit juicers, ...

GAMME PRIVILÈGE

Mechanism Reference	EMV
Points	2539



OPTIONS

SINKS

OPTIONS & KITCHEN ACCESSORIES

You will find below the details of the options offered with our adjustable products as well as supplementary adapted accessories.



Stainless steel sink to be embedded on worktop

- Without draining board
- Dimensions : 47 x 47 cm
- Sink : W 34,5 x D 34,5 x H 10 cm
- Manual draining
- Sink without holes

EVIERPMR 203 points



Stainless steel sink to fit on worktop

- Dimensions : 62,5 x 51 cm
- Sink : W 43,5 x D 43,5 x H 10 cm
- Self-motorizing drain with push button
- Stainless steel with lifetime warranty (corrosion & welding)
- Pre-drilled for taps Ø35 mm
- can be fitted

EVIERPMR+ 611 points

EGDRL 138 points

PAN 83 points



Stainless steel sink 1 bowl small drainer to be embedded on countertop.

- Dimensions : 61,5 x 50 cm
- Sink : W 35 x D 41 x H 15,4 cm
- Stainless steel with lifetime warranty (corrosion & welding)
- Space saving manual drain, Ø90 mm
- Sink without holes

EVIER1PC 122 points



Stainless steel sink 1 bowl with drainer to embed on countertop.

- Dimensions: 86 x 50 cm
- Sink : W 34,5 x D 39,5 x H 16 cm
- Stainless steel with lifetime warranty (corrosion & welding)
- Space saving manual drain, Ø90 mm
- Sink drilled for tap and drain

EVIER1C 184 points



Stainless steel sink 1 large bowl with drainer to be embedded on countertop.

- Dimensions: 100 x 50 cm
- Sink : W 45 x D 39,5 x H 16 cm
- Stainless steel with lifetime warranty (corrosion & welding)
- Space saving manual drain, Ø90 mm
- Sink drilled for tap and drain

EVIER1GC 193 points



Stainless steel sink with 2 bowls and drainer to be built in on countertop.

- Dimensions : 86 x 50 cm
- Sink : 2 x W 34,5 x D 39,5 x H 16 cm
- Stainless steel with lifetime warranty (corrosion & welding)
- Space saving manual drain, Ø90 mm
- Sink drilled for tap and drain

EVIER2C 232 points

Remember to order our specific plumbing kit, which is essential for installation on a variable height countertop. see p.29.

TAPS

OPTIONS & KITCHEN ACCESSORIES

You will find below the details of the options offered with our adjustable products as well as supplementary adapted accessories.



- Folding mixer tap
- Ideal for installation under a wall unit with adjustable height.
- Total height : 315 mm
- Total height of lowered tap: 80 mm
- Height under tap: 245 mm
- Tap rotates 360°
- 2-year warranty

MITIGRABAT 200 points



- Single handle mixer tap with offset nozzle
- Total height : 304 mm
- Height under tap : 199 mm
- Mobile nozzle
- Nozzle projection: 201 mm
- Hole diameter 35 mm
- 2-year warranty

MITIGDEPORT 331 points



- Ergonomic single handle mixer tap for sink or washbasin
- Height under tap : 145 mm
- Adjustable tap with medical lever (L.200 mm).
- Ceramic cartridge Ø40 mm with pre-set maximum temperature limit stop and flow regulator.
- 10-year warranty

MITIGERGO 204 points



- Ergonomic lever mixer tap with an extractable hand shower
- Height under tap: 105 mm
- Adjustable nozzle with medical lever (L.200 mm)
- Ceramic cartridge Ø40 mm with pre-set maximum temperature limit stop.
- 10 years warranty

MITIGERGODOUCH 318 points



- Single handle mixer tap with distance control
- Height under tap : 200 mm
- Openwork lever
- Ceramic cartridge
- Safety technologie
- Pull-out head
- 10 years warranty

MITIGDIST 330 points

ACCESSORIES

OPTIONS & KITCHEN ACCESSORIES

You will find below the details of the options offered with our adjustable products as well as supplementary adapted accessories.



Flat strip rest

- Dimensions: 2x 296 mm; 2x 250 mm and 2x 130 mm (set of 6 bars)
- Available colors: Stainless steel or matte black
- made of stainless steel
- Ready to be placed on the countertop thanks to a double-sided heat resistant coating

BRP

89 points



Mobile drainboard for sink without drain

- Materials: stainless steel and PVC
- Thickness 22 mm
- Slot for water release.
- 3 sizes available: 33,3 x 41,7 cm (EGM1); 34,2 x 43 cm (EGM2); 34,3 x 46,5cm (EGM3)

EGM1

132 points

EGM2

132 points

EGM3

132 points



Space-saving roll-out drainer

- Dimensions: 28 x 47 cm
- Stainless steel and PVC
- Black and stainless steel color
- Rolls up and stores easily

EGDRL

138 points

ACCESSORIES

OPTIONS & KITCHEN ACCESSORIES

You will find opposite the details of the options offered with our adjustable products as well as supplementary adapted accessories.



Wireless remote control for spotlights and extractor
- For control without wire connection
- Operates at a distance of 10 m
- Can be installed in a recessed or surface-mounted position

INTERSF 135 points



Handrail to screw on the edge of the countertop.
- Brushed stainless steel finish (Other colors: Gold, Chrome, Aluminum).
- 16 mm diameter
- Delivered with 2 ends, 2 or 3 supports according to length
- Assemblable and re-cuttable.

BM-60 81 points

BM-90 122 points

BM-120 139 points



Adhesive lock
- Cable lock for refrigerator, furniture, ...
- Ultra resistant 3M adhesive
- Easy to install
- Colors: Black or white
- Locking by key

VERROU 23 points



Handrail to be screwed on the edge of the countertop.
- Steel with chrome or satin finish (photo)
- 16mm diameter
- delivered with 2 end caps
- Can be assembled and recut

BMECO-60 57 points

BMECO-90 90 points

BMECO-120 99 points



Key switch for mechanism
- To lock a mechanism of high furniture or worktop and/or to secure the furniture, effect " cuts out circuit ".

ACCINTERCLE 227 points



Magnetic lock
- To lock a door with cards.
- Works on lithium battery
- Compatible on wood, derivatives, glass...

ACCMAGNET 265 points



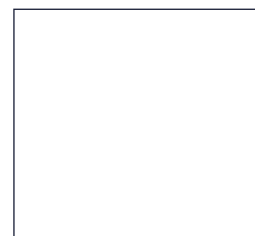
ÉVIERS

OPTIONS & ACCESSOIRES DE CUISINE

Retrouvez ci-contre le détail des options proposées avec nos produits réglables ainsi que des accessoires supplémentaires adaptés.



EVIERPMR 186 points



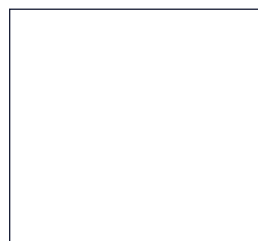
EVIERPMR+ 511 points

DEROUL 65 points

PAN 110 points



EVIERERGO 134 points



EVIERERGO+ 144 points



EVIERCONFORT 439 points

ACCESSORIES

OPTIONS & KITCHEN ACCESSORIES

You will find below the details of the options offered with our adjustable products as well as supplementary adapted accessories.



ZOOM ON AN ECONOMICAL AND MODULAR PRODUCT



- Kit for retractable furniture**
- System for furniture under the countertop
 - Can be used under a fixed countertop or in addition to the Lift Base or Lift Feet mechanism
 - Ideal for seniors or people who want to cook in a seated position for more comfort
 - The unit can be moved back 25 cm under the worktop and can easily be moved back to align with the remaining base units
 - Possible width of the cabinet: 60, 80 or 90 cm

The set includes the sliding system, the support frame and the corresponding attachments.

RETRACT 380 points



- Plumbing kit 1 bowl sink or 2 sinks special VARIABLE HEIGHT**
- 1 Flexible Pvc Ø40 mm for evacuation with a male nut and a female end
 - 2 flexible tubes for water supply.
 - 1 space saving tube for 1 or 2 sinks
 - 1 draining tube for dishwasher

KITPLOMB1 139 points

KITPLOMB2 165 points



- Flexible security band**
- Adhesive to fix under the headband
 - Active circuit breaker
 - Different lengths available
 - Color: black

SECUPT120 111 points

SECUPT160 125 points

SECUPT200 138 points

SECUPT240 151 points

SECUPT320 178 points

SECUPT420 212 points

SECUPT620 279 points



- Safety synchronization for mechanism**
- Allows a safety coupling between a wall unit and a countertop mechanism positioned below it

SECUSYNCHRO 358 points

ACCESSORIES

OPTIONS & KITCHEN ACCESSORIES

You will find below the details of the options offered with our adjustable products as well as supplementary adapted accessories.



- CONTACTLESS SWITCH**
- Switch to be glued or screwed to the back of an element.
 - Adjustable light intensity
 - 24V
 - Does not work through metal products
 - Max thickness of front panel 40 mm

INTERSC 50 points



- Infra-red remote control**
- Compatible with all our mechanisms (except the living' move).
 - Works with batteries

TELEC 212 points



- ELECTRIC PUSH UNIT**
- Assisted partial opening for built-in refrigerator or dishwasher.
 - Opening by pressure on the front
 - Necessary height 22 mm
 - Adjustable opening time from 4 to 8 seconds.
 - Automatic closing.

PUSH 327 points



- Corner plug unit**
- Aluminum case
 - Dimensions: 15x 6,4x 6,4 cm
 - 2 sockets
 - 1.9 m power cable to connect to the mains

BPA 63 points



ZOOM ON A PRODUCT



- POP'UP motorized retractable plugs**
- 2 plugs + 2 USB
 - With or without induction charger for compatible phones
 - Hole: 85 mm
 - Height: 146 mm
 - Color: matte black or brushed stainless steel
 - 2 m power cable with euro plug

BPMI-NOIR 495 points
(Induction noir)
BPMI-INOX 504 points
(Induction inox)

ACCESSORIES

OPTIONS & KITCHEN ACCESSORIES

You will find below the details of the options offered with our adjustable products as well as supplementary adapted accessories.



Kit for sliding top
- Allows easy access to small kitchen equipment or other appliances placed on the top

KITCOULISS 257 points



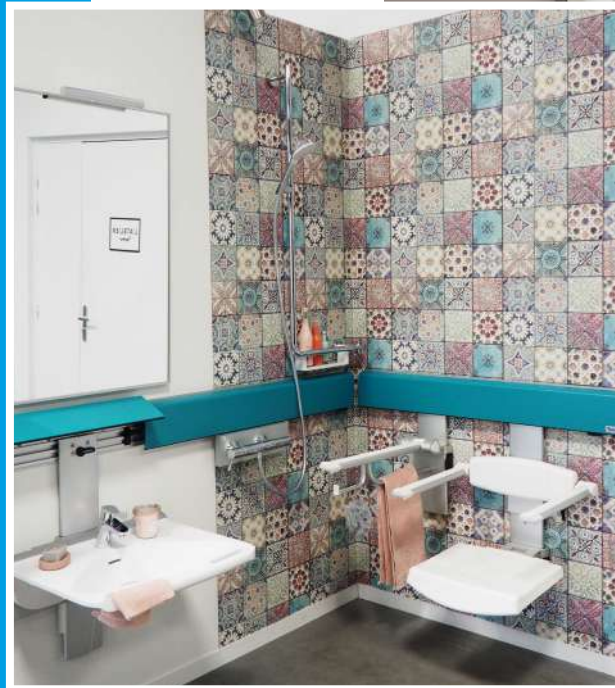
Movable sliding platform
- Materials: PVC
- Dimensions: 503 x 503 mm
- Color: grey
- Casters blocked by lever
- Inner edge
- Completely nomade, can be stored easily

PLATEAU COULISSANT 160 points



Mobile seat
For indoor use
- 4-leg base
- Reversible lever braking system
- Backrest, armrests and seat tiltable and adjustable in height
- Maximum load capacity: 125 kg
- 2 years warranty

MOBERGO 1443 points



2. BATHROOM


Find more information,
photos and videos on
www.amrconcept.com



THE BATHROOM SPACE



OUR TOILET PLANS:

• LINÉO - Electric mechanism for linear toilet surfaces 	p 33
• LIFT FEET - Electrical column for furniture bases	p 34
• LIFT BASE - Electrical unit for furniture bases	p 35
• LIFT BASE ACCESS - Electrical unit for furniture bases	p 36
• E-LINE - Corner sink with manual or electric height adjustment	p 37
• F-LINE - Frame for electrically height adjustable sink	p 38
• K-LINE - Frame for washbasin manually adjustable in height	p 39
• S-LINE - Frame for electrically height adjustable sink	p 40
• MODULO BAIN - Upgradeable bathroom furniture	p 41

OUR TOILETS / SHOWER BEDS / CHANGING TABLES:

• PRIV'EASY - Mechanism for height-adjustable toilet integration	p 42
• LIT DOUCHE - Electrically adjustable shower and changing table	p 43
• EVOLU'TABLE - Adjustable height changing table	p 44

BATHROOM OPTIONS AND ACCESSORIES:

• SINKS AND TAPS	p 45
• SHOWER SEATS	p 46
• SUPPORT RAILS	p 47
• ACCESSORIES	p 49
•		

PROFILO SMART:

• ACCESSORIES PROFILO SMART	p 50
-----------------------------	-------	------

Our mechanisms can be installed on existing bathrooms or on new bathrooms from most manufacturers on the market.

If you want a complete project including mechanisms and furniture, contact us.



Find more information, photos and videos on www.amrconcept.com



LINEO

ELECTRIC MECHANISM FOR LINEAR TOILET SURFACES.



   5-year warranty on limited parts

- The integration of a basin is easy thanks to the lateral adjustment of the support arms.
- Silent system
- “Plug & Play” system
- Standard stroke of 30 cm. Programmable to the nearest mm, up to 65 cm on request
- The mechanisms are sold separately, the furniture can be provided on request.
- A 6 cm gap is provided between the wall and the columns for the installation of electricity and plumbing
- Speed of 38 mm/s
- Maximum load of 160 kg (furniture included)

INCLUDED EQUIPMENT:

Electric columns, custom made frame, anti-crush safety, motor, control box, power cables, switch

DESIGN ASSISTANCE



VIDEO PRESENTATION



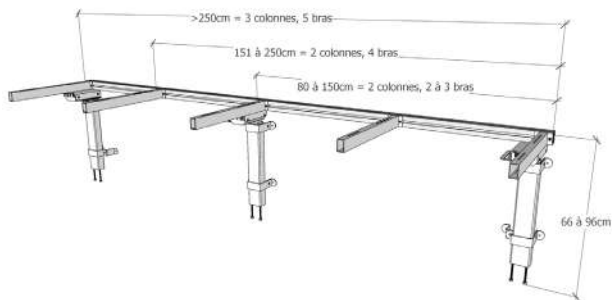
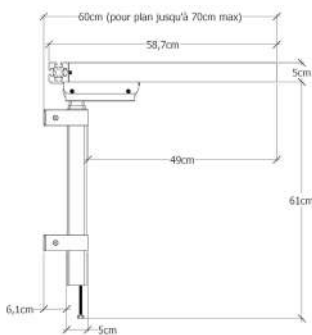
ASSEMBLY INSTRUCTIONS



BATHROOM 34

LINEO mechanism makes your washtop adjustable in height according to your needs thanks to a discreet switch integrated in the furniture, a remote control or your smartphone. It has a **double anti-crushing safety system**, the first integrated into the columns of the mechanism: the “Piezo” system, the second, a flexible circuit breaker strip located under the hollow space of your washtop.

The mechanism and the technical components can be hidden by panels which make the whole thing aesthetic and minimalist.



PRIVILEGE RANGE

Length Reference	PT80 à PT100 80 to 100cm	PT110 à PT150 101 to 150cm	PT160 à PT200 151 to 200cm	PT210 à PT250 201 to 250cm	PT260 à PT300 251 to 300cm
Points	2267	2383	2526	2628	3487

To order, note the reference corresponding to the length of the worktop. ATTENTION: Always round up to the higher ten.

(Example: worktop length 150 cm = PT150 / worktop length 252 cm = PT260)

OPTIONS



TELEC :
Replaces the
switch
212 pts



KITPLOMBSD1
adjustable height sink
103 pts

LIFT FEET

ELECTRICAL COLUMN FOR FURNITURE BASES

 2-year warranty on limited parts

- 23.5 cm stroke
- Silent system
- “Plug & Play” system
- Supports a maximum load of 80 kg (including furniture). For heavy loads, reinforced columns are available, please consult us.
- The mechanisms are sold alone and without anti-crushing safety: to be planned according to the design.
- Speed of 25 mm/s
- Gap corresponding to the void in the installed furniture

INCLUDED EQUIPMENT:

Electric columns, motor, control box, power cables, switch

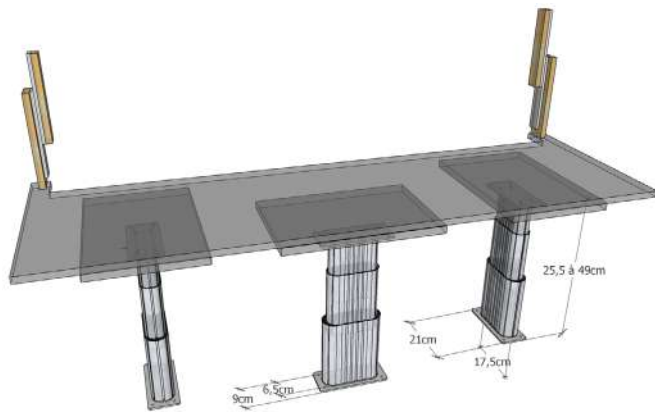
DESIGN ASSISTANCE



VIDEO PRESENTATION



ASSEMBLY INSTRUCTIONS



LIFT FEET mechanism makes your washbasin adjustable in height according to your needs thanks to a discreet switch integrated in the furniture or a remote control. This mechanism allows a **great deal of design possibilities** as it is integrated under the furniture, replacing the usual plastic feet.

The mechanism is invisible because it is covered by panels that replace the usual wood bases.

35 BATHROOM

Mechanism Reference	CTM1 1 column**	CTM2 2 columns**	CTM3 3 columns**	CTM4 4 columns**
Points	1807	2564	3268	3977

**The number of columns required will depend on the size and configuration of the island, please contact us for more information.

OPTIONS



TELEC :
Replaces the
switch
212 pts



KITPLOMBSD1
adjustable height sink
103 pts

LIFT BASE

ELECTRICAL UNIT FOR FURNITURE BASES

 5-year warranty on limited parts

- 9.5 cm stroke
- Silent system
- Plug & Play™ system
- Supports a maximum load of 150 kg per unit *(including furniture)*
- Mechanisms are sold alone and without anti-crush protection: *to be planned according to design*
- Speed of 14 mm/s
- Gap corresponding to the void in the installed furniture

INCLUDED EQUIPMENT:

Electrical units, motor, control box, power cables, support panels, slides and switch

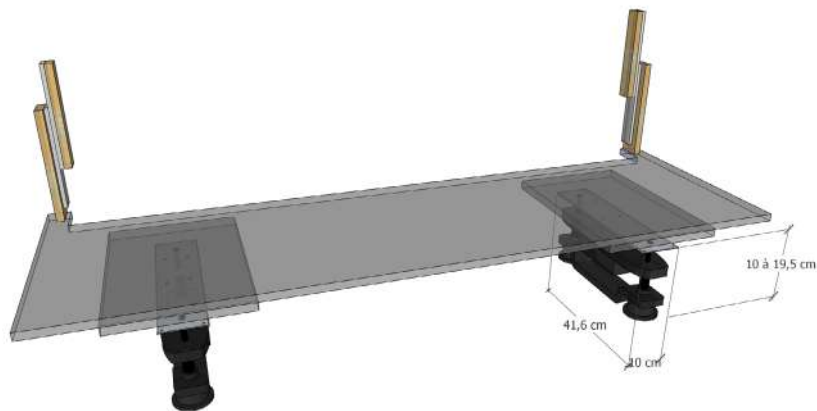
DESIGN ASSISTANCE



VIDEO PRESENTATION



ASSEMBLY INSTRUCTIONS



LIFT BASE mechanism makes your washbasin adjustable in height according to your needs thanks to a discreet switch integrated in the furniture or a remote control. This mechanism gives you **great deal of design** because it is integrated under the furniture, replacing the usual plastic feet and the possibility of synchronising up to 16 units.

The mechanism is invisible as it is hidden by the furniture bases.

BATHROOM
36

Mechanism Reference	LB2**	LB3**	LB4**	LB5**
Points	1430	1887	2223	2717

** The number of columns required will depend on the size and configuration of the island, please contact us for more information.

OPTIONS



TELEC :
Replaces the switch
212 pts



KITPLOMBSDB1
adjustable height sink
103 pts

LIFT BASE ACCESS

ELECTRICAL UNIT FOR FURNITURE BASES

 5-year warranty on limited parts

- 9.5 cm stroke
- Silent system
- Plug & Play™ system
- Supports a maximum load of 150 kg per unit *(including furniture)*
- Mechanisms are sold alone and without anti-crush protection: *to be planned according to design*
- Speed of 14 mm/s
- Gap corresponding to the void in the installed furniture

INCLUDED EQUIPMENT:

Electrical units, motor, control box, power cables, support panels, slides, metal support, slides, metal frame and switch

DESIGN ASSISTANCE



VIDEO PRESENTATION



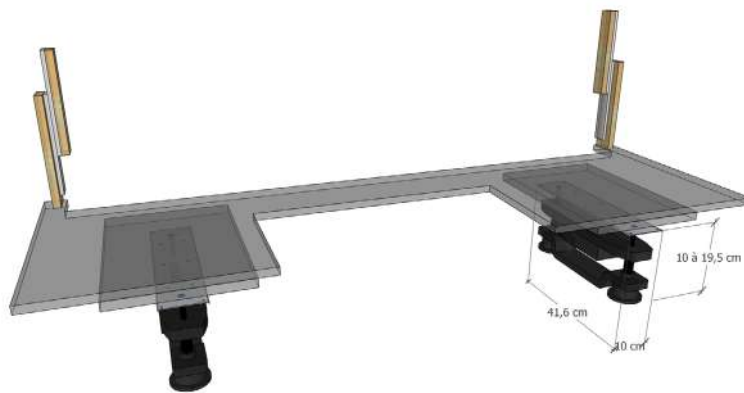
ASSEMBLY INSTRUCTIONS



LIFT BASE ACCESS mechanism makes your worktop adjustable in height according to your needs thanks to a discreet switch integrated in the furniture or a remote control. This mechanism gives you **great design possibilities** as it is integrated under the furniture, replacing the usual plastic feet. You can design a layout with a hollow space or a retractable piece of furniture which allows customisation according to your needs.

The mechanism is invisible because it is hidden by the furniture's bases.

BATHROOM 37



Mechanism Reference	LBA2**	LBA3**	LBA4**	LBA5**
Points	2193	2648	3039	3675

** The number of columns required will depend on the size and configuration of the island, please contact us for more information.

OPTIONS



TELEC :
Replaces the switch
212 pts



KITPLOMBSD B1
adjustable height sink
103 pts



RETRACT:
Pull-out kit for retractable furniture
380 pts

E-LINE

CORNER SINK WITH MANUAL OR ELECTRIC HEIGHT ADJUSTMENT

 5-year warranty on limited parts

- Corner washbasin in synthetic resin moulded in one piece
- Maximum depth: 633 mm, Length: 1000 mm
- No overflow
- 3 large handles to secure the user
- Height adjustment of 30 cm - Min. height: 70 cm, max. height: 100 cm (from ground)
- Available in left or right hand version
- Maximum load on handle: 200 kg
- Can be installed with any standard tap

INCLUDED EQUIPMENT:

Washbasin, crank or switch and plumbing cover

VIDEO
PRESENTATION



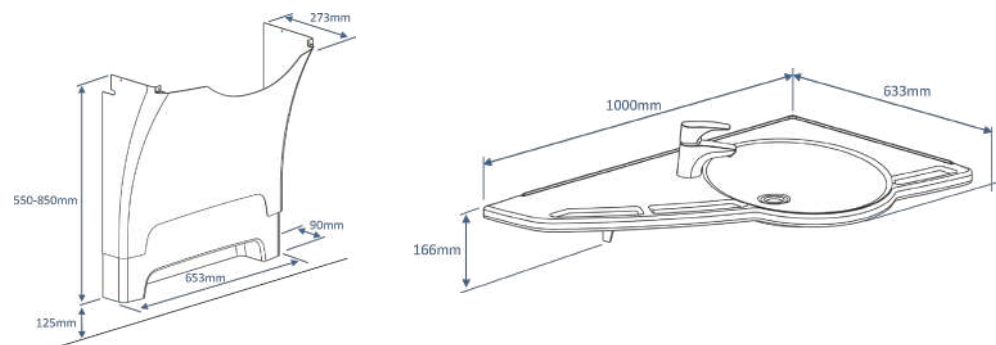
ASSEMBLY
INSTRUCTIONS



E-LINE washbasin can be easily adjusted in height thanks to the **integrated handle** on the front edge. The **triangular shape** of the washbasin saves space in the room and is available in left or right-hand versions. Its aesthetic is sober and offers a beautiful design, a large capacity and robustness.

This element exists in **electric or hand cranked version**.

BATHROOM
38



Mechanism Reference	ELMG (left-hand crank)	ELMD (right-hand crank)	ELEG (left elec. button)	ELED (right elec. button)
Points	1706	1706	3317	3317

OPTIONS

TAP: different models available - accessories section. 35

BATP: Removable drain with integrated overflow 55 pts



KITPLOMBSDB1
for adjustable height
103 pts

F-LINE

FRAME FOR ELECTRICALLY HEIGHT ADJUSTABLE SINK.

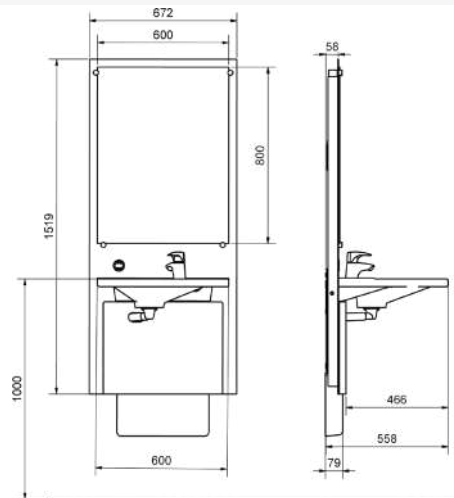
 5-year warranty on limited parts

- Frame size: W 672 x H 1519 x D 79 mm
- Washbasins dimensions: STANDARD W 600 x D 420 / SUPPORT W 600 x D 588 W 640 x D 546 mm
- All units are supplied with taps and plumbing kit
- Equipped with a large mirror that can be adjusted with the washbasin
- Materials: Steel frame and white acrylic cover
- Colour: white
- Height adjustment of 30 cm - min. height: 70 cm/ max. height: 100 cm (from ground)
- Frame size: W 700 x H 1520 x D 58 mm
- Compatible with standard basins, stands and hospitals

INCLUDED EQUIPMENT:

Support frame, mirror, mixer tap with openwork handle, plumbing cover, plumbing kit and switch, (washbasin for FLSP version)

ASSEMBLY
INSTRUCTIONS



F-LINE is a washbasin/mirror unit that offers a complete height adjustment over 30cm.

The mirror can be adjusted in height at the same time as the washbasin (the latter is available as an option or can be delivered bare).

Its **switch is directly integrated** in an aesthetic and practical way.

Mechanism Reference	FLNU without basin	FLSPP with support basin*
Points	2472	3428

K-LINE

MANUALLY HEIGHT-ADJUSTABLE WASHBASIN

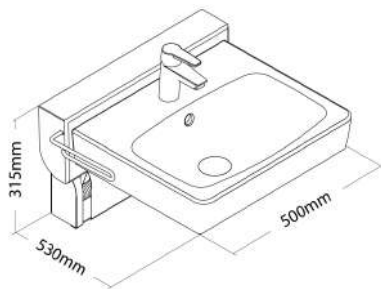
 5-year warranty on limited parts

- Frame dimensions: W500 x H175/315 x D530/630mm
- Washbasin width: from 500mm
- This set comes complete with basin, mixer tap and plumbing kit
- Materials: White epoxy coated steel, aluminium cover and ceramic basin
- Colour: White
- Vertical travel of 14cm and horizontal travel of 10cm
- Weight capacity: 150kg
- Easy to assemble, ready to install and simple to use

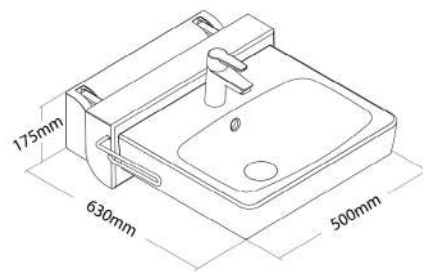
INCLUDED EQUIPEMENT:

Support frame, mechanism, washbasin, mixer tap with openwork handle, plumbing kit and siphon

ASSEMBLY
INSTRUCTIONS



HIGH POSITION



LOW POSITION



BATHROOM
40

K-LINE is a **spring-loaded adjustable** wall frame that allows both **height adjustment and the washbasin to be moved towards the user**. The **side handle** allows the washbasin to be moved up and down.

Mechanism Reference	K-LINE
Points	1669

OPTIONS

S-LINE

FRAME FOR ELECTRICALLY HEIGHT ADJUSTABLE SINK.



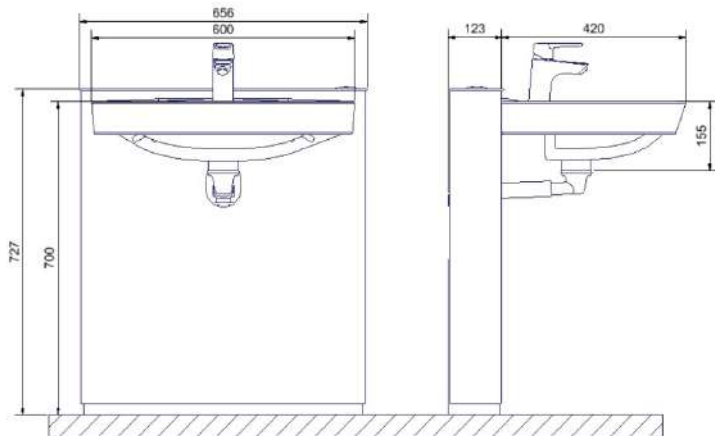
  5-year warranty on limited parts

- Frame dimensions: W 656 x H 721 x D 123 mm
- Washbasins dimensions: STANDARD W 600 x D 420 / SUPPORT W 600 x D 588 W 640 x D 546 mm
- All units are supplied with taps and plumbing kit
- Materials: White epoxy coated steel and aluminium
- Colour: White
- Minimum height: 70 cm, maximum height: 100 cm (from ground)
- 30 cm stroke
- Possibility to order the frame without washbasin in order to customize the installation

INCLUDED EQUIPMENT :

Support frame, mechanism, motor, control box, power cable, remote control and casing

ASSEMBLY
INSTRUCTIONS



41 BATHROOM

S-LINE is an **electrically adjustable** frame that offers optimal use. It is possible to choose a bare frame to personalise it with the desired basin or to choose from the 3 basins directly available. The **integrated switch** on the top of the frame allows **easy and convenient access**.

Mechanism Reference	SLNU without basin	SLSTD standard basin* GAMME PRIVILEGE	SLSPP support basin*	SLHPT hopital basin*
Points	2487	3210 	3478	3293

OPTIONS



Ref: SLSTD
LAVABO
STANDARD



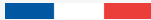
Ref: SLSPP
LAVABO
SUPPORT



Ref: SLHPT
LAVABO
HOPITAL

MODULO BAIN

UPGRADEABLE BATHROOM FURNITURE

 5-year warranty on limited parts

- Width 90 cm (can be made on 80 cm or 100 cm furniture, made to measure with optional pricing).
- The finished height can be defined according to the needs
- Doors open to 155°.
- No need for reinforcement for installation
- Possibility to propose the design with options: basin, tap, mirror, spotlights, accessories, ...
- This unit is scalable and can be modified without tools in less than a minute!

INCLUDED EQUIPMENT:

Cabinet, folding inner shelf, storage baskets, removable bottom, leg and worktop

VIDEO
PRESENTATION

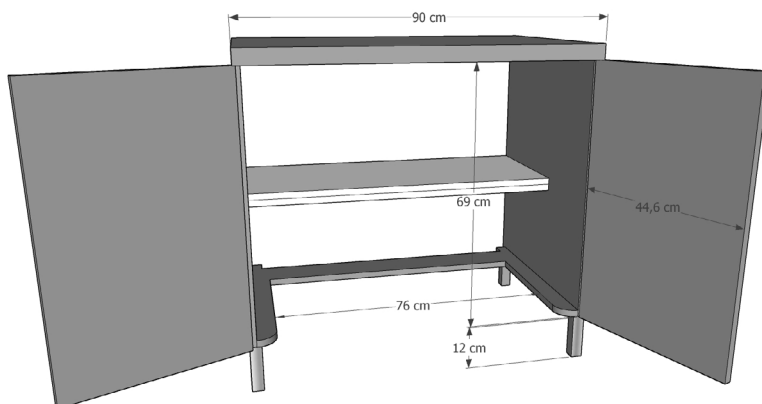


MODULO BAIN is a **modular and evolutive** piece of bathroom furniture. It can be used by an person in the traditional way or by a senior citizen and/or a person in a wheelchair once the doors are open. It is modular and **can be transformed without tools in less than a minute.**

It is also possible to store a stool or a seat inside when it is in the hollow position. The **storage compartments in the doors** allow direct and effortless access to the products.

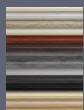
BATHROOM

42



Reference	MODULO BAIN
Points	1345 +5,66 furniture eco participation

OPTIONS



Choice of colours:
Tops and furniture from the selection available

Possible to select the model number of the washbasin, all basins are compatible.

Possibility to choose the reference of the tap, all tap are compatible

PRIV'EASY

HEIGHT-ADJUSTABLE TOILET LIFTER

 5-year warranty on limited parts

- Raises or lowers the toilet for seniors or people with reduced mobility.
- 6 or 3 liters tank (can be adjusted to 4,5 / 2 L)
- Steel frame, ABS cladding.
- User weight 400 kg max, lifting capacity 200 kg.
- Height of the bowl from 405 to 650 mm (electric version) or 400 to 620mm (crank version).
- Bowl not supplied, can be supplied on request.
- Electric lift by bluetooth remote control or manual lift by crank.
- White colour.
- Several ergonomic accessories can be placed on it

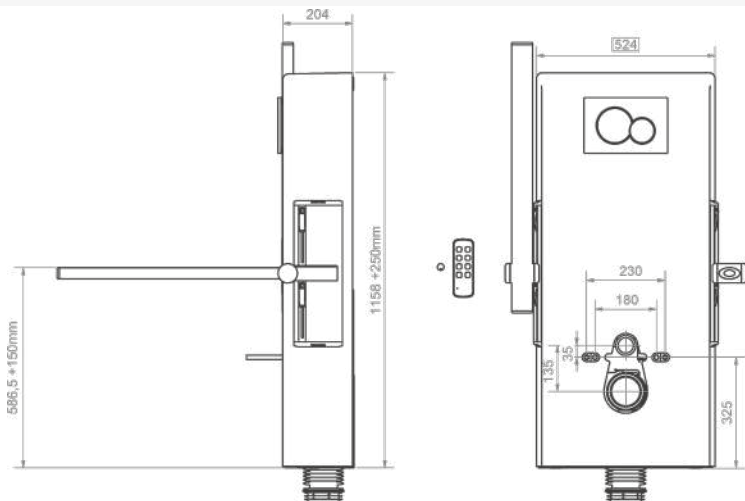
INCLUDED EQUIPMENT :

Support frame, mechanism, motor, control box, power cable, remote control and cover

VIDEO
PRESENTATION



ASSEMBLY
INSTRUCTIONS



BATHROOM
43

PRIV'EASY is a toilet frame available in manual or electric version, a long-lasting and ideal solution to **access the toilet**. Its white and pure design allows it to blend into your room and requires little space.

No need for painful movements, **this frame can be adjusted to 22cm in manual version, 25cm in electric version**. Numerous **modular accessories** make it even more ergonomic.

Mechanism Reference	MANUAL WC	ELECTRIC WC
Points	2934	3412

OPTIONS



TRANSFER HANDLE:

44 pts

TOILET PAPER HOLDER :

44 pts



TOILET:

Short (56cm): 342 pts

Long (70cm): 1032 pts

without seat and flap



DOSSIER WC:

Long: 320 pts

Short: 224 pts



Pair of straight height adjustable support

arms: -S: 851pts

-D: 804 pts



amr
CONCEPT
www.amrconcept.com

SHOWER BED

ELECTRICALLY ADJUSTABLE SHOWER AND CHANGING TABLE

 5-year warranty on limited parts

- Electrically height-adjustable with 70 cm travel (from 30 cm to 100 cm from the ground)
- Adjustment by remote control connected by a spiral cable.
- Supports a maximum load of 150 kg
- Grey waterproof polyurethane pads
- Can be folded against the wall when not in use

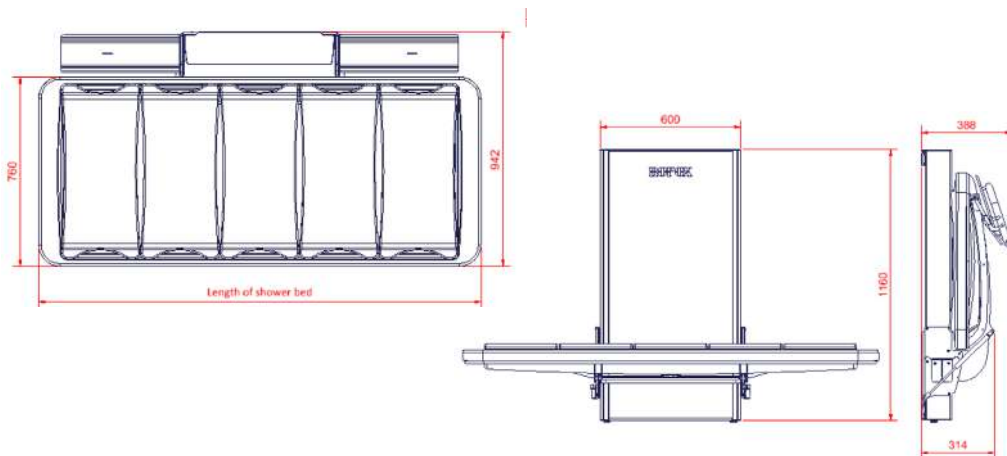
INCLUDED EQUIPMENT:

Bed, electrical unit, motor, control box, power cable, exhaust hose, remote control and polyurethane cushion

VIDEO
PRESENTATION



ASSEMBLY
INSTRUCTIONS



SHOWER BED allows a person (child and adult) to be showered, dried and dressed **without any intermediate transfer** because the water drains between the foam pads. Its **wide range of adjustment**, from 30 cm from the floor to 100 cm, **makes it easy to transfer** and comfortable for the user. It is controlled by a **remote connected by a spiral cable** to the control unit.

When not in use, the shower bed can be folded up to free the space.

BATHROOM
44

Mechanism Reference	LDF146 128/146cm	LDI146 128/146cm	LDF178 160/178cm	LDI178 160/178cm	LDF210 192/210cm	LDI210 192/210cm
Points	6425	6659	6935	7173	7302	7541

OPTIONS



BARLE:
Retractable barrier
925 pts



BARFE
Fixed end barrier
202 pts

EVOLU'TABLE

ELECTRIC HEIGHT-ADJUSTABLE DESK BASE, TABLE & CHANGING TABLE

 5-year warranty on limited parts

- Height adjustment of 65 cm without step from 55 to 120 cm from the floor, by screw-in switch underneath the table top or remote control.
- Colour white
- Plug & Play™ system
- Simple and manual length adjustment (in 5 cm steps).
- Power supply, removable power cable.
- The mechanism is sold alone, the tabletop can be supplied on request.
- For use as a table, office or changing table
- For straight desks (also available for angled desks)
- Speed of 38 mm/s

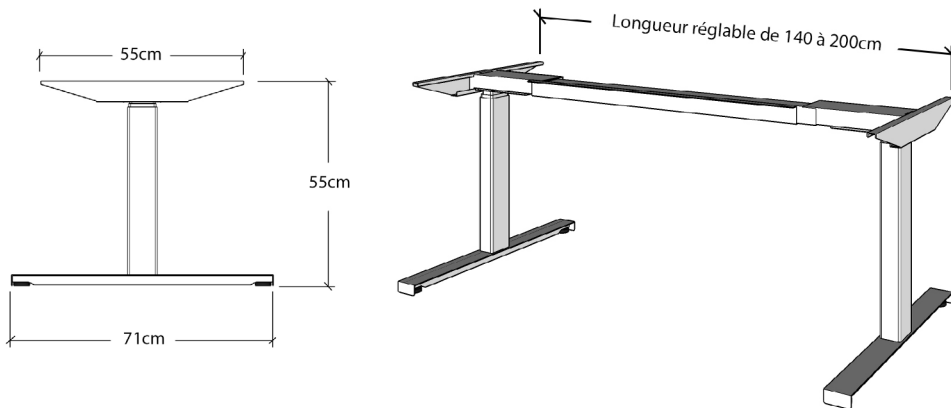
INCLUDED EQUIPMENT:

Base, crossbar, motor, control box, power cable and switch

VIDEO
PRESENTATION



ASSEMBLY
INSTRUCTIONS

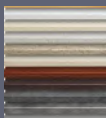


BATHROOM
45

EVOLU'TABLE, multifunctional base allowing a personalized and evolving arrangement. **The height can be adjusted according to your needs** thanks to a discreet switch placed under the tabletop and a bluetooth control from your smartphone. It is possible to **create a table, a desk, a changing table**, ... that can be easily installed and integrated into an interior. It has an **anti-collision safety system**: the "Piezo" system

Mechanism Reference	EVOLU'TABLE
Points	1059

OPTIONS



Custom made tabletops
Laminate, compact
laminated or other

TAPS & SINKS

OPTIONS & BATHROOM ACCESSORIES

See opposite for details of the options available with our adjustable products and additional suitable accessories.



TAPS



- Ergonomic lever inclined mixer tap
- Adjustable temperature limiter
 - Height under spout: 53 mm
 - Ergonomic inclined lever
 - 24° inclined spout angle
 - With pull cord
 - Finish: chrome

HG70C

190points



- Ergonomic lever mixer tap
- Adjustable temperature limiter
 - Height under spout: 94 mm
 - Ergonomic lever
 - 30° inclined spout angle
 - Cold water start-up in centred handle position
 - Without pull cord
 - Finish: chrome

HG100C

231 points



- Single handle mixer tap with perforated handle
- Adjustable temperature limiter
 - Height under spout: 93 mm
 - Open handle
 - 33° inclined spray
 - Cold water start-up in centred handle position
 - With pull cord
 - Finish: chrome

HG100E

178 points

SINKS



- Rectangular shallow washbasin
- Dimensions: 59,5 x 53 cm
 - Depth: 9 cm
 - Materials: Solid surface
 - Colour: white
 - Drain at the back

VASQUEM

832 points



- Rectangular washbasin for installation
- Dimensions: 50 x 40 cm
 - Dimensions: 43,2 x 30 x 11 cm
 - Materials: Polyconcrete
 - Colour: white

VASQUEA

159 points



- Rectangular washbasin for installation
- Dimensions: 55 x 42,5 cm
 - Dimensions of basin: 30,5 x 48,5 cm
 - Depth of basin: 17 cm
 - Materials: Ceramic
 - Colour: White

VASQUE D

296points

SHOWER SEAT

OPTIONS & BATHROOM ACCESSORIES

See opposite for details of the options available with our adjustable products and additional suitable accessories.



ZOOM ON A MODIFIED SHOWER SEAT



An evolving and modular range that transforms the bathroom easily and without work. Thanks to its rail system on which accessories can be clipped: seat, grab bar, shelf, etc. It meets your needs whether they are permanent or occasional: flexible, hygienic and modern!

- Each element is available in different colours
- A multitude of design possibilities
- Invisible fixing system

(For more information, please contact us)

SIEGAR (siège)	278 points
BARAR (Barre relevable)	294 points
BARARBE (BARAR + béquille)	365 points
DOSAR (Dossier + accoudoirs)	323 points
TABAR (Tablette)	28 points
BADAR (Barre droite murale)	91 points



Stripe shower seat

- Made of stainless steel and PVC
- Dimensions: W48.5 x H48 x D41
- Maximum load: 200 kg with legs and 150 kg without legs
- Adjustable seat and foot
- Available in white or grey

SIEGSTRIPE à partir de 145 points



Shower seat, stone

- Made of stainless steel and ABS
- Dimensions W 463 x H 47 x D 448 mm
- Maximum load 200 kg
- Soft closing seat, adjustable foot
- Available in white or grey

SIEGSTONE à partir de 339 points

SUPPORT BARS

OPTIONS & BATHROOM ACCESSORIES

See opposite for details of the options available with our adjustable products and additional suitable accessories.



- Straight bar**
- Length 45 cm
 - Diameter 32 mm
 - Made of stainless steel
 - Two-coloured (several colours available)
 - Invisible fixings
 - Maximum load 150 kg

BD45IN

59 points



- T-bar**
- Height 120 cm
 - Diameter 32 mm
 - Made of stainless steel
 - Two-coloured (several colours available)
 - Invisible fixings
 - Maximum load 150 kg

BL90+IN

201 points



- 135° bar**
- Dimensions 45 x 45 cm
 - Diameter 32 mm
 - Made of stainless steel
 - Two-coloured (several colours available)
 - Invisible fixings
 - Maximum load: 150 kg

BC135-45IN

86 points



- L Bar**
- Height 120 cm
 - Diameter 32 mm
 - Made of stainless steel
 - Two-coloured (several colours available)
 - Invisible fixings
 - Maximum load 150 kg

BL90IN

157 points



- Epoxy straight bar**
- Length 30 cm
 - Diameter 32 mm
 - Grey colour (also available in white)
 - Invisible fixings
 - Maximum load 150 kg

BD30

31 points

SUPPORT BARS

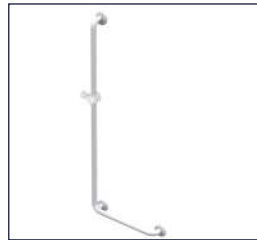
OPTIONS & BATHROOM ACCESSORIES

See opposite for details of the options available with our adjustable products and additional suitable accessories.



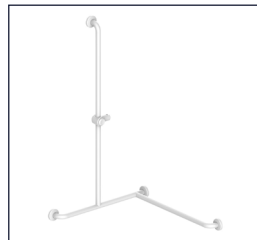
- Bar 135° epoxy
- Diameter 32 mm
- Dimensions: 40 x 40 cm
- White colour
- Invisible 3-point fixing
- Maximum load 150 kg

BC135-40 89 points



- L bar epoxy
- Dimensions: 120 x 45cm
- Diameter 32 mm
- White colour
- Invisible 3-point fixing
- Maximum load 150 kg

BL90 129 points



- Epoxy T-bar
- Dimensions: 60 x 70 x 120 cm
- Diameter 32 mm
- Two-coloured (several colours available)
- Invisible 4-point fastenings
- Maximum load 150 kg

BL90+ 202 points



- Handrail to be screwed on the edge of the worktop
- Brushed stainless steel finish (Other colours: Gold, Chrome, Aluminium)
- 16 mm diameter
- delivered with 2 end caps, 2 or 3 supports depending on length and 5 hooks
- Can be assembled and re-cut.

BMECO-60 57 points

BMECO-90 90 points

BMECO-120 99 points



- Handrail to be screwed on the edge of the worktop
- Steel, satin chrome finish
- 16 mm diameter
- supplied with 2 end caps
- Can be assembled and re-cut.

BM-60 81 points

BM-90 122 points

BM-120 139 points



- Space-saving siphon for washbasin

SIPHONSDB 23 points

ACCESSORIES

OPTIONS & BATHROOM ACCESSORIES

See opposite for details of the options available with our adjustable products and additional suitable accessories.



Plumbing Kit Bathroom 1 special basin
VARIABLE HEIGHT

- 1 Pvc hose Ø32mm for draining with a male nut and a female nozzle.
- 2 flexible hoses for water inlet
- 1 space-saving siphon for 1 bowl

KITPLOMBSDB1 *103 points*



Enlarging mirror on articulated arm

- round
- normal vision and 3x magnification.
- 4 joints.
- Maximum extension 30,5 cm.

MIROIRLOUPE *110 points*



Tilting mirror with handle

- Mirror size: 50 x 60 cm
- Tilt up to 20°.
- 6mm safety glass mirror
- Bright chrome handle

MIROIR *432 points*

PROFILO SMART RANGE

MODULAR BATHROOM FURNITURE



PLUG & PLAY



PERSONALIZED

MODULAR

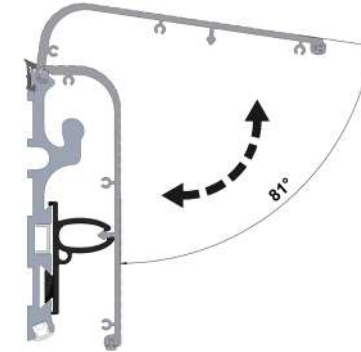
51

VIDEO
PRESENTATION



Modular Plug & Play

Personalized



It is a unique, scalable, modular and customisable system that allows the bathroom to adapt to the needs of the users. It includes a wide range of accessories that can be easily moved or removed as needed, creating a multipurpose space that is both simple and stylish.

The idea? A horizontal rail on which all the necessary accessories can be clipped: shower seat, handrail, ergonomic basin, storage units, etc. Everything is height-adjustable and can be moved, mounted and dismantled from the rail without tools.



Horizontal rail to support accessories



Height adjustable sink with ergonomic handle



Lifting and height adjustable support arm



Shelf



Height adjustable shower seat



Toilet paper dispenser

PROFILO ACCESSORIES

OPTIONS & ACCESSORIES PROFILO

See opposite for details of the options available with our adjustable products and additional suitable accessories.



- Wall track, rounded corner**
- Finishes: anodised, stainless steel, or RAL colours
 - LEDs can be passed through
 - Easy to clean
 - Materials: Aluminium, ABS, medical PVC
 - Length made to measure

Price per linear metre

RAIL1 177 points



- Square wall track with insert**
- Finishes: anodised, stainless steel or RAL
 - LEDs can be passed through
 - Easy to clean
 - Materials: Aluminium, ABS, medical PVC
 - Customised length
 - Customisable rail insert

Price per linear metre

RAIL2 188 points

INSERT 66 points



- Square wall track**
- Finishes: anodised, stainless steel, or RAL colours
 - LEDs can be passed through
 - Easy to clean
 - Materials: Aluminium, ABS, medical PVC
 - Length made to measure

Price per linear metre

RAIL3 188 points



- Open rail locker**
- Materials: Nylon, stainless steel
 - Colour: Dark grey
 - Easy to clean
 - Attaches to the wall rail and keeps the rail cover open when changing the position of the elements
- Open rail clamp

CLIP 12 points

PROFILO ACCESSORIES

OPTIONS & ACCESSORIES PROFILO

See opposite for details of the options available with our adjustable products and additional suitable accessories.



- Lifting arm to be fixed on rail
- Finishes: anodised or stainless steel
 - Available in 3 lengths: 600, 750 or 900 mm
 - Choice of plastic colours: white, red, blue, black or grey
 - Materials: Aluminium, ABS, stainless steel and nylon
 - Manual adjustment on side and vertical rails

BR HV R

538 points



- Washbasin support on rail
- Materials: Aluminium, ABS, stainless steel and nylon
 - Easy to clean
 - Various widths available depending on the choice of basin
 - Manual adjustment on the rail from the side and manual height adjustment

SLAVABOHV60-R

459 points

SLAVABOHV90-R

533 points

SLAVABOHVANGLE-R

555 points



- Shower seat to be fixed on rail
- Finishes: anodised or stainless steel
 - Seat size: W 44 x D 56 cm
 - Choice of plastic colours: white, red, blue, black or grey
 - Materials: Aluminium, ABS, stainless steel, nylon and XL Extralight
 - Manual adjustment on side and vertical rails

SIEGEHVRail

907 points



- Shower seat with backrest and armrests to be fixed on rail
- Finishes: anodised or stainless steel
 - Seat dimensions: W 44 x D 56 cm
 - Choice of plastic colours: white, red, blue, black or grey
 - Materials: Aluminium, ABS, stainless steel, nylon and XL Extralight
 - Manual adjustment on lateral and vertical rail (back and seat separated)

SIEGEACCRAIL

1449 points

PROFILO ACCESSORIES

OPTIONS & ACCESSORIES PROFILO

See opposite for details of the options available with our adjustable products and additional suitable accessories.



Ergonomic washbasin for support stand

- Materials: Solid surface
- Colour: White
- Easy to clean
- 2 widths available: 60 or 90 cm
- Integrated handles to help you move around, hold on or put a towel down
- Available with or without overflow hole

LAVAB060 *863 points*

LAVAB090 *1045 points*



Angle washbasin for support stand

- Materials: Solid surface
- Colour: White
- Easy to clean
- Dimensions: W 100 x D 56 x D 3.5 cm
- Integrated handles to help you move around, hold on to or put a towel down
- Available with or without overflow hole
- Available with left or right corner

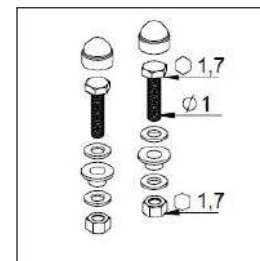
LAVABOANGLE *1045 points*



Flexible plumbing hose for washbasin

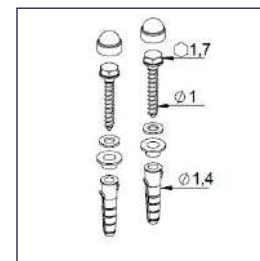
- Materials: Polypropylene, PVC and brass
- 2 models available to fit mixer taps with or without draining system

FLEXEVAC *81 points*



Fixing screws for washbasin on aluminium support with bolts and nuts
Flexible plumbing hose for washbasin

FIX-LAVABO *29 points*



Wall fixing screws for load bearing walls with nylon expansion plugs

FIX-MURAL *29 points*

PROFILO ACCESSORIES

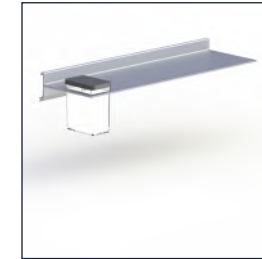
OPTIONS & ACCESSORIES PROFILO

See opposite for details of the options available with our adjustable products and additional suitable accessories.



- Cup holder to be fixed on rail
- Materials: aluminium and glass
- Finishes: glass and anodised (stainless steel extra)
- Easy to clean
- Dimensions: W 10 x H 8 x D 15 cm

PORTE GOBELET R 66 points



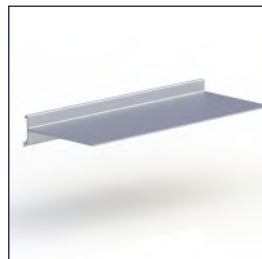
- Rail-mounted shelf
- Materials: aluminium and glass
- Finishes: glass and anodised (stainless steel extra)
- Easy to clean
- Dimensions: W 30 x H 8 x D 15 cm

SHELF CASE 116 points



- Rail-mounted soap dispenser
- Materials: aluminium and glass
- Finishes: glass and anodised (stainless steel extra)
- Easy to clean
- Dimensions: W 10 x H 8 x D 15 cm

DISTRIB R 73 points



- Rail-mounted shelf
- Materials: aluminium
- Finishes: glass and anodised (stainless steel extra)
- Easy to clean
- Dimensions: W 30 x H 8 x D 25 cm

SHELF 111 points



- Soap holder for rail mounting
 - Materials: aluminium and glass
 - Finishes: glass and anodised (stainless steel extra)
 - Easy to clean
 - Dimensions: W 10 x H 8 x D 15 cm
- Rail-mounted shelf

PORTE SAVON R 67 points

PROFILO ACCESSORIES

OPTIONS & ACCESSORIES PROFILO

See opposite for details of the options available with our adjustable products and additional suitable accessories.



- Towel rail**
- Materials: aluminium
 - Finish: anodised (stainless steel at extra cost)
 - Easy to clean
 - Dimensions: W 30 x H 8 x D 13 cm

PORTE SERVIETTE 116 points



- Shower head**
- Flexible length: 150 cm
 - Materials: Brass, ABS
 - Adjustable spray

POMMEAU 70 points



- Toilet paper dispenser**
- Material: aluminium
 - Finish: anodised (stainless steel at extra cost)
 - Adjustable support along the rail

PAPIER R 81 points



- Toilet paper dispenser on support arm**
- Materials: aluminium, stainless steel, ABS
 - Finishes: anodised (stainless steel in addition)
 - This support is placed under the lift-up support arm ref: BR HV R
 - Available colours: white, red, blue, black or grey

BR PAPIER 39 points



- Tap bracket for rail**
- Finish: anodised (stainless steel at extra cost)
 - Dimensions: W 37 x H 12 x D 7 cm
 - With running water connectors
 - Material: Aluminium
 - Manual adjustment on the side rail

SUPPORT THERMO 326 points

PROFILO ACCESSORIES

OPTIONS & ACCESSORIES PROFILO

See opposite for details of the options available with our adjustable products and additional suitable accessories.



- Towel rack on washbasin**
- Materials: aluminium
 - Finish: anodised (stainless steel at extra cost)
 - Easy to clean
 - Dimensions: L 42 x H 3,5 cm

PORTE SERVIETTE SL 67 points



- Soap dish on washbasin**
- Materials: aluminium and glass
 - Finish: anodised (stainless steel at extra cost)
 - Easy to clean
 - Dimensions: L 10 cm

PORTE SAVON SL 79 points



- Cup holder on washbasin**
- Materials: aluminium and glass
 - Finish: anodised (stainless steel at extra cost)
 - Easy to clean
 - Dimensions: L 10 cm

PORTE GOBELET SL 79 points



- Soap dispenser on washbasin**
- Materials: aluminium and glass
 - Finish: anodised (stainless steel at extra cost)
 - Easy to clean
 - Dimensions: L 10 cm

DISTRIB SL 85 points

PROFILO ACCESSORIES

OPTIONS & ACCESSORIES PROFILO

See opposite for details of the options available with our adjustable products and additional suitable accessories.



- Backrest with wall armrests
- Materials: Aluminium, ABS, stainless steel, nylon, XL Extralight
- Choice of colours: white, red, blue, black or grey
- Easy to clean
- Can be used in addition to the fixed shower seat
- Dimensions: W 57 x D 52 x H 18 cm

DOSSIER-ACC 547 points



- Fixed wall-mounted shower seat
- Materials: Aluminium, ABS, stainless steel, nylon, XL Extralight
- Choice of colours: white, red, blue, black or grey
- Easy to clean
- Dimensions: W 44 x D 52 x H 18 cm

SIEGEFIXE 658 points



- Wall-mounted lift-up support arm
- Finishes: anodised or stainless steel
- Available in 3 lengths: 60, 75 or 90 cm
- Dimensions: h. 18 x l. 14 cm
- Choice of colours: white, red, blue, black or grey
- Materials: Aluminium, ABS, stainless steel and nylon

BR FIXE 377 points



- Backrest for wall mounted toilet
- Materials: Aluminium and ABS
- Easy to clean
- Dimensions: W 43,5 x D 22,5 x H 15 cm
- Choice of colours: white, red, blue, black or grey

DOSSIER 498 points



- Height-adjustable wall-mounted support arm
- Finishes: anodised or stainless steel
- Available in 3 lengths: 60, 75 or 90 cm
- Choice of colours: white, red, blue, black or grey
- Materials: Aluminium, ABS, stainless steel and nylon
- Manual height adjustment over 40 cm

BR HV 503 points

PROFILO ACCESSORIES

OPTIONS & ACCESSORIES PROFILO

See opposite for details of the options available with our adjustable products and additional suitable accessories.



- Adjustable wall-mounted shower seat**
- Materials: Aluminium, ABS, stainless steel, nylon, XL Extraligh
 - Choice of colours: white, red, blue, black or grey
 - Easy to clean
 - Dimensions: W 44 x D 57 x H 60 cm

SIEGEHV 868 points



- Wall mounted shower seat with armrests**
- Finish: anodised (stainless steel at extra cost)
 - Seat dimensions: W 44 x D 57 cm
 - Choice of plastic colours: white, red, blue, black or grey
 - Materials: Aluminium, ABS, stainless steel, nylon and XL Extralight
 - Manual vertical adjustment (back and seat separated)

SIEGEACCFIXE 1416 points



- Manual wall-mounted washbasin support**
- Materials: Aluminium, ABS, stainless steel and nylon
 - Easy to clean
 - Various widths available depending on the choice of basin
 - Manual height adjustment over 60 cm

SLAVABOHV60 425 points

SLAVABOHV90 499 points

SLAVABOHVANGLE 522 points



- Ceramic wall toilet**
- Material: ceramic
 - Available in 2 sizes:
 - L 36 x D 70 x H 33 cm or
 - L 36 x D 56 x H 33 cm
 - Colour: White
 - Wall mounting

WC COURT 299 points

WC LONG 487 points



3. FURNITURE DESIGN




THE INTERIOR DESIGN



OUR TV SYSTEMS:

- **LIVING'MOVE** - Electrical mechanism for HIFI devices p 62
- **TV LIFT** - Electrical mechanism for television p 63

OUR BASES:

- **PI TABLE** - Electrically height adjustable central table base  p 64
- **EVOLU'TABLE** - Office desk base, changing table or electrically height adjustable table p 65
- **FLEXI-4** - Height adjustable table frame p 66
- **FLEXI-XL** - Height adjustable table frame p 67

OUR STORAGE MECHANISMS:

- **WARDROBE** - Electrical wardrobe elevator p 68

Our mechanisms can be installed on existing furniture or on new furniture from most manufacturers on the market.
If you want a complete project including mechanisms and furniture, contact us.

Find more information, photos and videos on www.amrconcept.com



LIVING'MOVE

ELECTRICAL MECHANISM FOR HI-FI DEVICES

 2-year warranty on limited parts

- The mechanism is easily installed *in a cabinet or on a wall.*
- Can raise or lower an element from its initial position, can be fitted on different heights of furniture.
- Possibility to fix a cabinet with integration of small household appliances, television, shelves, etc...
- Electronic anti-pinch safety device *in compression.*
- The mechanisms are sold separately, *the furniture can be supplied on request.*
- Stroke 70 cm for CTV70 and 100 cm for CTV100
- Speed of 28 mm/s
- Supports a maximum load of 65 kg in push and 29 kg in pull

INCLUDED EQUIPMENT:

Mechanism, standard support bars, motor, control box, power cable, power cable, switch and remote control



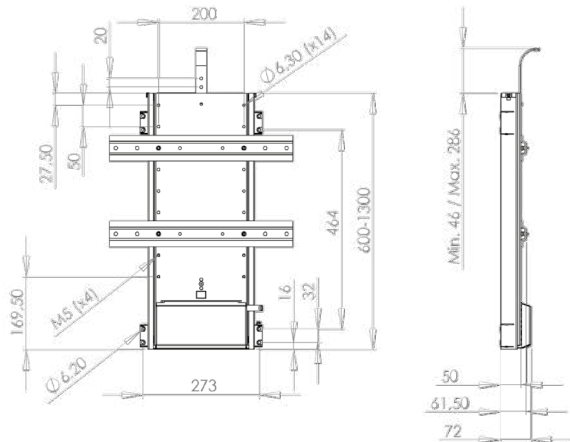
LIVING'MOVE is a screen lift mechanism designed to position a screen vertically in a cabinet or against a wall.

Its stroke length can be selected according to the size of your screen, allowing the screen to be completely hidden when not in use.

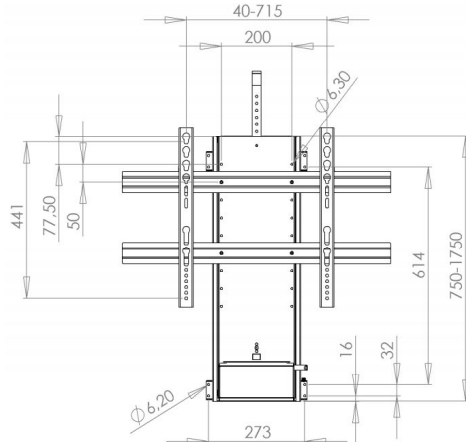
ASSEMBLY
INSTRUCTIONS



CTV70



CTV100



Mechanism Furniture Reference	CTV70	CTV100
Points	1086	1268

OPTIONS



Remote control included

TV LIFT

ELECTRIC MECHANISM FOR TELEVISION

  5-year warranty on limited parts

- The mechanism is easily installed *in a cabinet or on a wall.*
- Can raise or lower an element from its initial position.
- Possibility to fix a box with integration of small household appliances, television, shelves, etc...
- The mechanisms are sold separately, the furniture can be supplied on request.
- Plug & Play™ system
- Stroke of 65 cm
- Speed of 38 mm/s
- Supports a maximum load of 80 kg per column *(including furniture)*

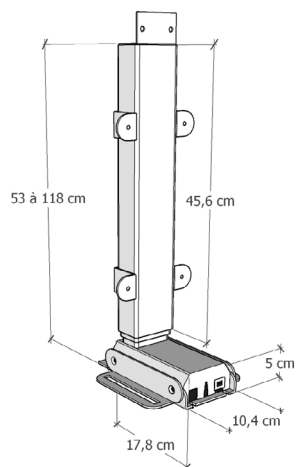
INCLUDED EQUIPMENT:

Electric column, motor, control box, power cable and switch.

VIDEO
PRESENTATION



ASSEMBLY
INSTRUCTIONS



TV LIFT is an electric screen lift mechanism. Thanks to its size, it can be **easily integrated into a piece of furniture** and offers a wide range of installation options. It can be installed in an existing piece of furniture or a complete unit can be created around it. The switch can be easily integrated into the furniture.

This mechanism has an **integrated "Piezo" safety system.**

FURNITURE DESIGN
64

PRIVILEGE RANGE

Mechanism Furniture Reference	TVLIFT
Points	932

OPTIONS



TELEC :
Replaces
the switch
212 pts

PI TABLE

CENTRAL TABLE BASE,
ELECTRICALLY HEIGHT-ADJUSTABLE



 5-year warranty on limited parts

- Height adjustment of 21cm without step, two heights are available from the floor to the underside of the table top: table/worktop 71-92cm, coffee table/dining table 55-76cm
- Available colours: *black*
- Silent system
- Operates on mains with optional remote control and/or Bluetooth, or on optional battery kit only with switch under the table top
- The mechanised base is sold alone, *the table top can be supplied on request.*
- Maximum load capacity of 160kg including the top, maximum size of 200 x 90cm for a 39mm thick laminate or melamine top
- Speed of 38 mm/s

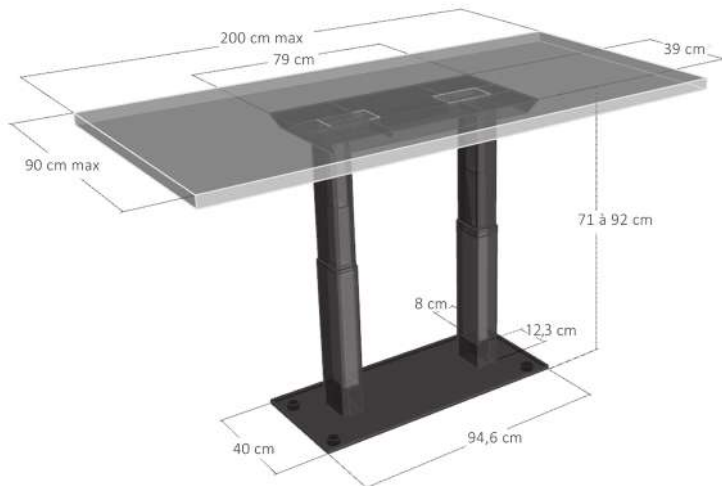
INCLUDED EQUIPMENT:

Base, electric columns, motor, control box, power cable and switch, supplied with 4 feet for adjustment on uneven ground



TABLE PI, central base with two multifunctional columns allowing a customized and evolving layout. **The height can be adjusted according to your needs** thanks to a discreet switch placed under the top, a remote control and/or a bluetooth control from your smartphone. It is possible to **create a work surface, a dining table, a desk, a meeting table, ...** that can be installed and integrated with elegance in an interior. It has an **anti-collision safety system**: the "Piezo" system

65



PRIVILEGE RANGE

Mechanism Reference	TABLE PI table basse/table repas PIET-PI/2B	TABLE PI table repas/plan de travail PIET-PI/2H
Points	2392	2392

OPTIONS



TELEC :not battery compatible
Replaces the switch
212 pts

PIET-PIBAT:
Battery kit (only with switch
under table top)
377 pts



Custom table top
Laminate, compact
laminate compact or
quartz

EVOLU'TABLE

OFFICE DESK BASE, CHANGING TABLE OR ELECTRICALLY HEIGHT ADJUSTABLE TABLE

 5-year warranty on limited parts

- Height adjustment of 65 cm without step from 55 to 120 cm from the floor, by screw-in switch under the table top or remote control.
- Available colours: white
- Plug & Play™ system
- Simple and manual length adjustment (in 5 cm steps).
- Power supply, removable power cable.
- The mechanism is sold alone, the table top can be supplied on request.
- For use on table, desk or changing table
- For straight desks (also available for angled desks)
- Speed of 38 mm/s

INCLUDED EQUIPMENT:

Base, crossbar, motor, control box, power cable and switch

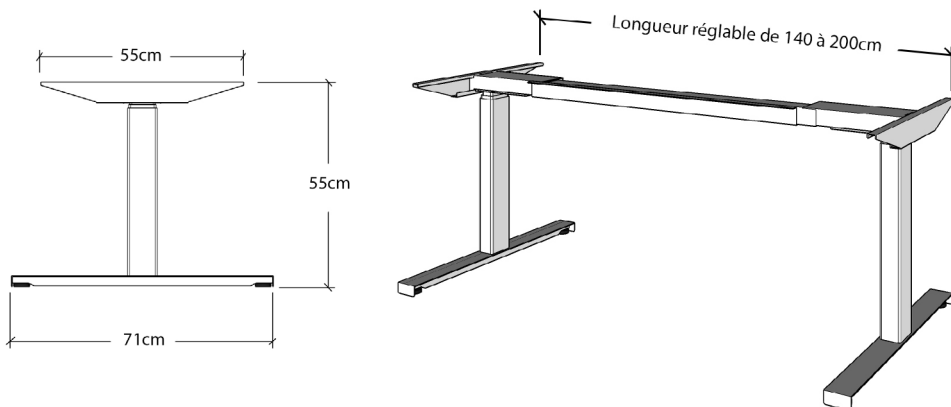
VIDEO PRESENTATION



ASSEMBLY INSTRUCTIONS

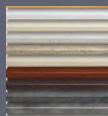


EVOLU'TABLE, multifunctional base allowing a personalized and evolving arrangement. **The height can be adjusted according to your needs** thanks to a discreet switch placed under the tabletop and a bluetooth control from your smartphone. It is possible to **create a table, a desk or a changing table**, ... that can be easily installed and integrated into an interior. It has an **anti-crash safety system** : the "Piezo" system



Mechanism Reference	
Mechanism Reference	EVOLU'TABLE
Points	1059

OPTIONS



Custom made table tops
Laminate, compact laminate or other

FLEXI-4

HEIGHT ADJUSTABLE TABLE FRAME

 2-year warranty on limited parts

- Height adjustment of 20 cm without bearing (from 65.5 to 85.5 cm from the ground), by removable winding handle.
- Available in all RAL colours.
- Custom sizes are possible, *contact us for more information.*
- The mechanism is sold alone, *the tabletop can be supplied on request.*
- Square steel tube leg 5 x 5 cm
- Supports a maximum load of 80 kg *including furniture*

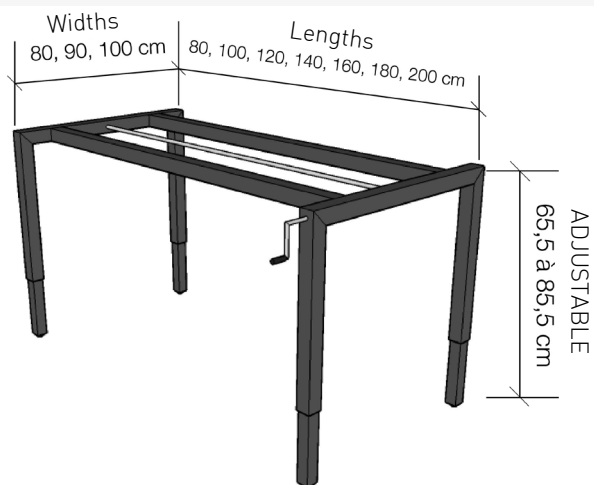
INCLUDED EQUIPMENT:

Variable height base and crank or electronic box in the electric version
electric version

VIDEO
PRESENTATION



ASSEMBLY
INSTRUCTIONS



The **FLEXI-4** base is available in **manual and electric versions**.

The hand crank for the manual version is attached to each of the four table legs and can be adjusted smoothly. The switch for the electric version is fitted under the table top. The shape of the crossbars makes it possible to create tops with rounded edges.

Ref.	FLEXI-4 MANUEL								FLEXI-4 ELECTRIC						
	Width	Length								Length					
Dim.	cm	80	100	120	140	160	180	200	80	100	120	140	160	180	200
Points	60	1179				1235				1947			2020		
	80	1179				1235				1947			2020		
	100	1179				1235				1947			2020		

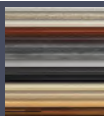
To order, please specify the dimensions of the desired base: length 80-200 cm and depth 80-100cm

NB: Allow for a maximum of 1cm overhang for the crank to work properly.

OPTIONS



ROUL: Set of 4 castors with brakes - 75mm 57 pts



Custom made table tops
Laminate, compact laminate or other

FLEXI-XL

HEIGHT ADJUSTABLE TABLE FRAME

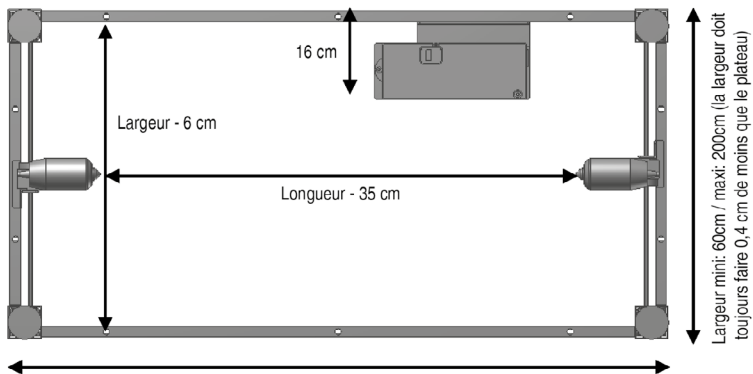
 5-year warranty on limited parts

- Made-to-measure legs for tables. Can also be used to create a self-supporting island or worktop
- Maximum dimensions: 200 x 200 or 200 x 300 cm in XXL version
- Minimum dimensions: 60 x 60 cm
- Safety strip under the table top
- Table top available in several colours (optional)
- Base colour: Grey
- Maximum load capacity: 250kg including table top
- Two heights available: 55-85 cm or 65-95 cm
- 30 cm stroke

INCLUDED EQUIPMENT:

Base, crossbar, motor, control box, power cable and switch

ASSEMBLY
INSTRUCTIONS



Longueur mini: 60cm / maxi: 300cm (la longueur doit toujours faire 0,4 cm de moins que le plateau)



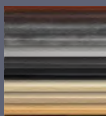
The FLEXI-XL base is available in **manual and electric versions**.

It can be used to set up a **dining table** or to create an **island or worktop** when the wall is not reinforced or cannot be fixed to it. Its sturdiness allows the installation of both a laminate and a stone top, as it **can resist a load of 250kg**.

It is possible to choose between **two different heights** in order to adjust it to your needs. The adjustment is smooth and silent for a millimetre-accurate adjustment.

Mechanism Reference	FLEXI XL M	FLEXI XL E	FLEXI XXL M	FLEXI XXL E
Points	2605	4567	2605	4567

OPTIONS



Custom made
table tops
Laminate, compact
laminate or other



TELEC :
Replaces the switch
212 pts



ROULETTES :
Increases the height by 6.5cm
433 pts

WARDROBE

ELECTRICAL WARDROBE ELEVATOR

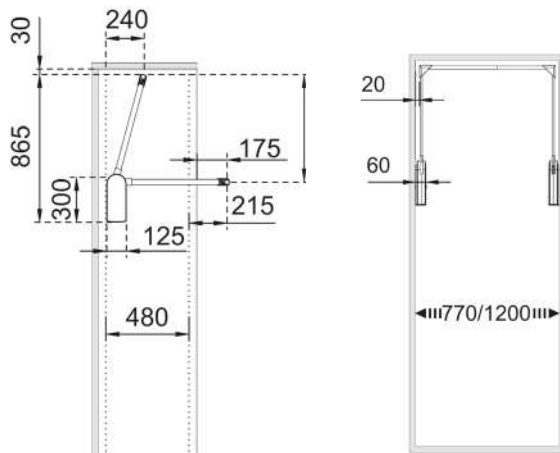
 2-year warranty on limited parts

- Width adjustable mechanism from 75 cm to 120 cm
- Maximum load: 17 kg
- Supplied with one-touch remote control and safety sensor
- Available in 3 colours: White case, white tube / White case, chrome tube / Brown case, brown tube
- 66cm stroke
- Input voltage: 100 - 240 V / Frequency: 50 - 60 Hz / Power: 60 W

INCLUDED EQUIPMENT:

Mechanism, screws and remote control

ASSEMBLY
INSTRUCTIONS



FURNITURE DESIGN
69

The **WARDROBE** is an **electrically operated mechanism** for making a wardrobe hangers accessible at the top of wardrobes and dressing rooms. It is lowered electrically by **remote control and moves down smoothly by 66cm**. Once in the lowered position, it is easy to access the hanging bar without constraint as it comes out of the cabinet and it is therefore possible to move underneath.

Mechanism Reference	PENDELEC
Points	2636

OPTIONS

THE ASSISTED CONTROL IN DETAIL FOR INTERIOR DESIGN PROFESSIONALS

You have imagined and/or sold a project in which you wish to integrate one of our products. In order to ensure that your order and the installation of the unit go smoothly, our design office is at your disposal to provide you with all the necessary information. We will assist you with your order, we will provide you with the technical drawings, the installation file for the installation of our products in your project and we will train your technician by videoconference.

Here are the steps to follow to work together on the assisted order.

1

In order to verify your project (preferably before the sale), you need to send us

- The client's anthropometric form completed (if necessary)
- 3D views of the entire project.
- If you are working on Insitu, the Insitu scene in .scn or .set format. If not, a dimensioned plan and elevation.

We correct your scene on the part that concerns us and check the general ergonomics of the project, then we give you feedback explaining the changes that have been made.

You then have all the elements you need to make your offer to the client and validate it.

2

We will send you back the corrected scene with the list of elements to be ordered for the mechanism(s) and accessories for your project.

The mechanisms are ordered directly from AMR CONCEPT. You must then return the signed order to us with the deposit to confirm your order confirm your order and validate the deadlines.

We will accompany you until the installation of your project.

3

The steps after ordering our products:

- We provide you with the technical drawings on the part that concerns us
- We ask you to send us your AR and your pre-corrected scene (measurement done) before the manufacturing departure. We correct the scene and check your AR.
- We create the installation file and then train your technician by videoconference before the installation and our technical team will be at his disposal by telephone during the installation.

TO ORDER

Find
all our products in your
your professional space on our website:

www.amrconcept.com

or Contact us at

04 77 25 27 34

or by mail on

info@amrconcept.com

Our general terms and conditions of sale and after-sales services are available on request from the company's head office and can be consulted directly online at the following address

www.amrconcept.com

Consumers can find out about the period during which spare parts for the products sold are available, the methods of payment, delivery and processing of complaints, the methods of exercising the legal guarantees, the commercial guarantee and the after-sales service, and the contact details of the competent consumer ombudsman at the company's registered office or on our website.

SIEGE SOCIAL

13 Boulevard Sagnat
ZI du Buisson
42230 Roche la Molière
04.77.25.27.34
info@amrconcept.com

71